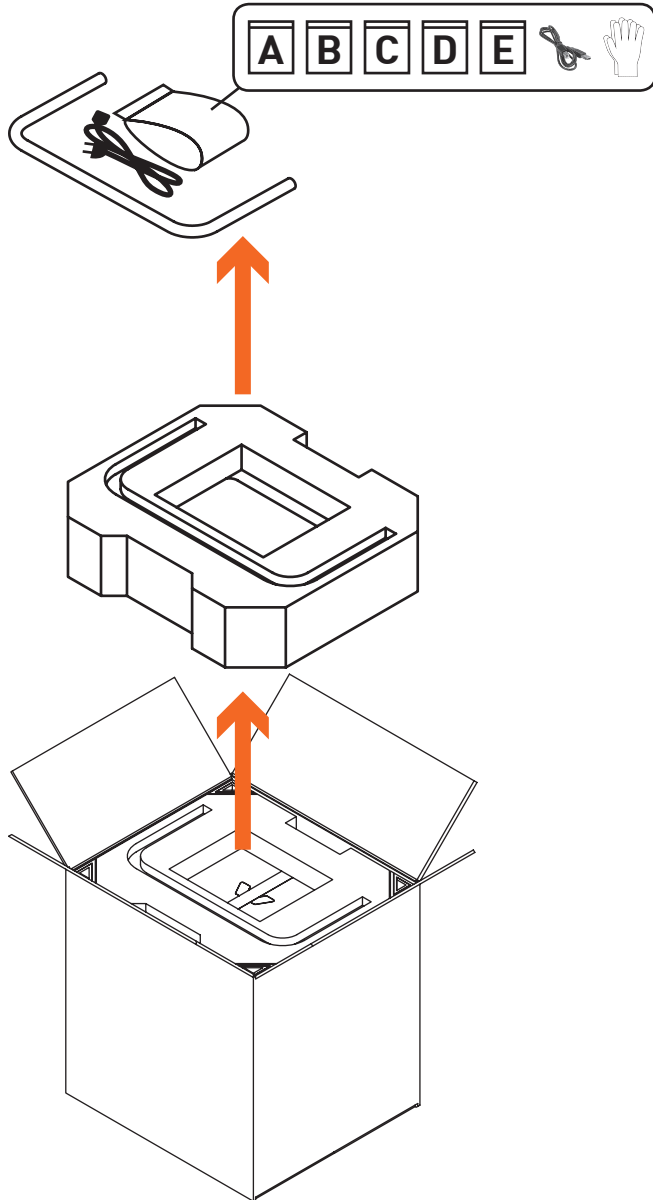




# QUICK START GUIDE

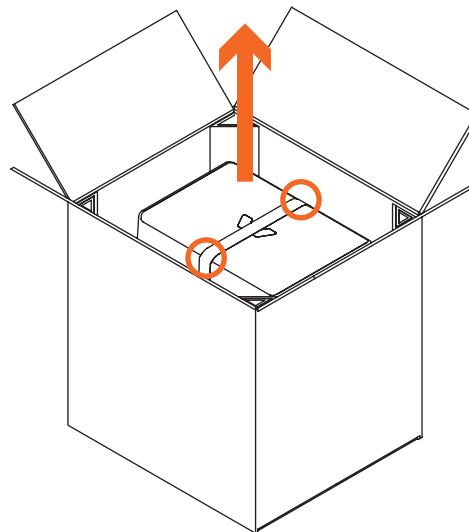
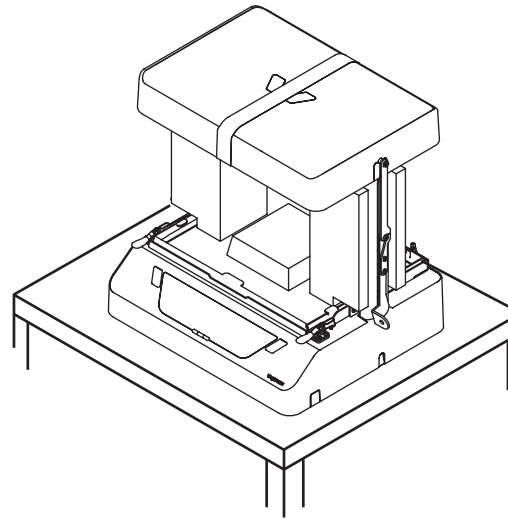
1

Remove the top foam. Set aside the handlebar, tool kit, and accessories.



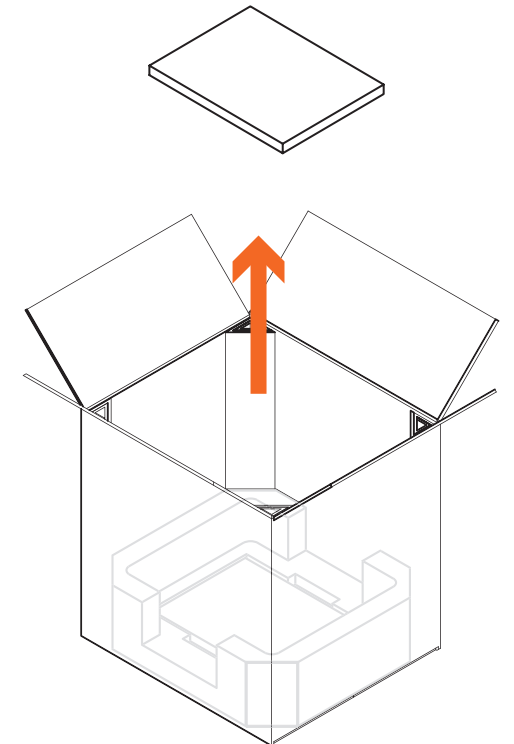
2

Lift the Vaguform from the front and back of the heater. Set it on a flat surface then remove the foam and strap.



3

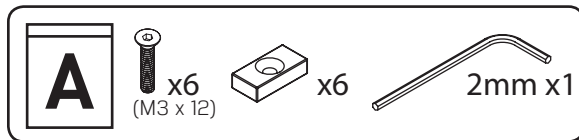
Remove the plastic sheets. Set aside.



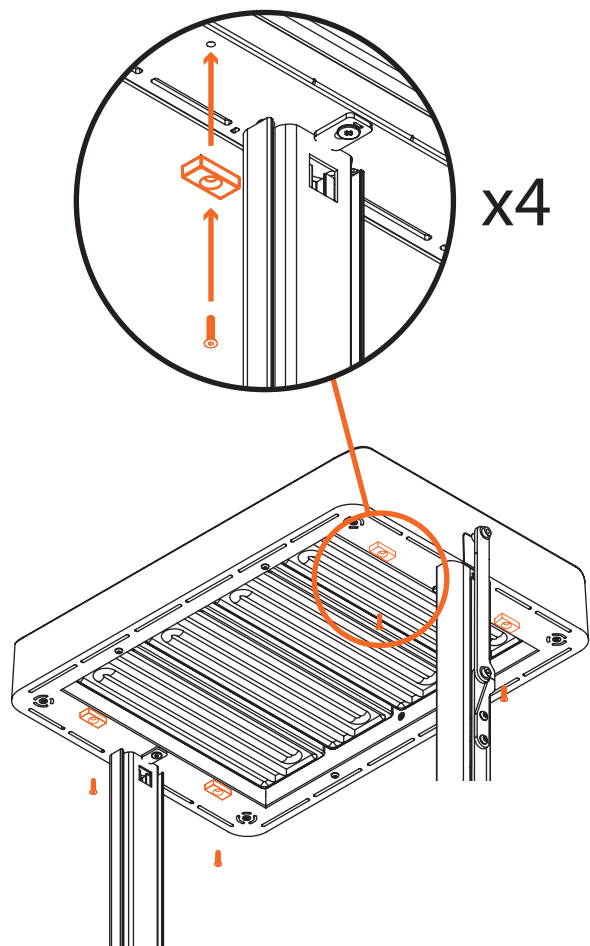
**VAQUFORM™**

**UNBOXING**

# HEATER MAGNETS

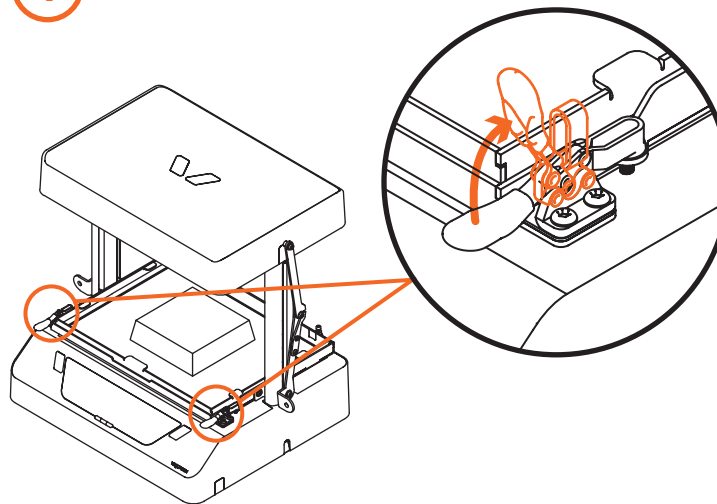


Attach four magnets to the heater following the diagram below.

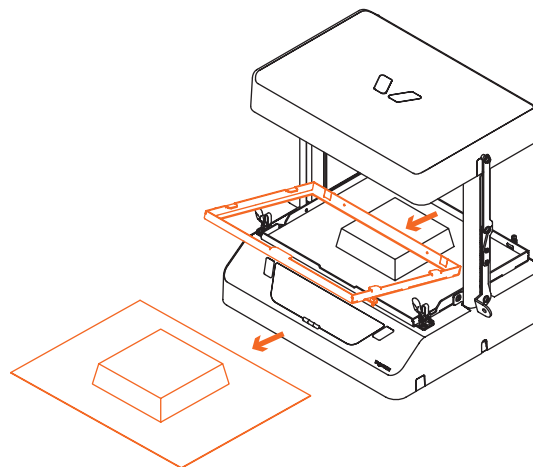


# TEST FORM

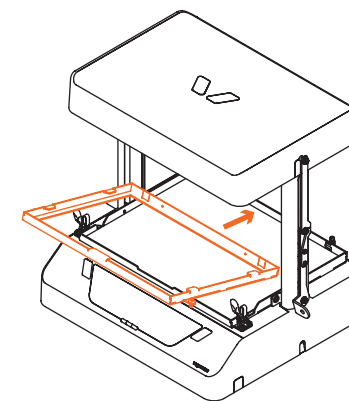
1 Unlock the toggle clamp



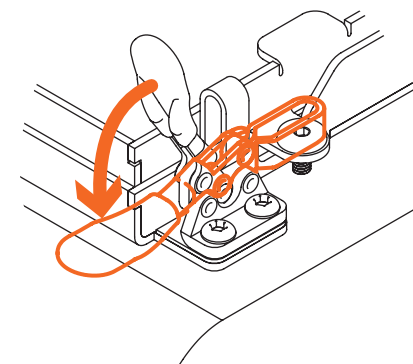
2 Lift the upper sheet clamp frame then remove the test form.



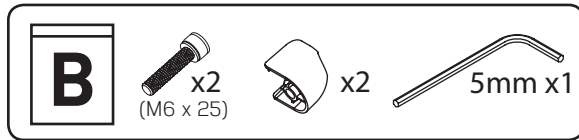
3 Return the upper sheet clamp frame



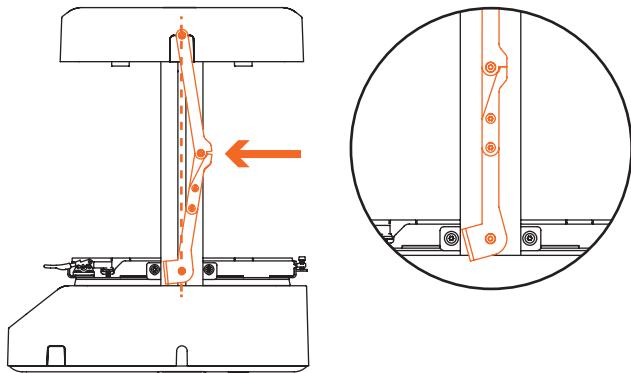
4 Lock the toggle clamp



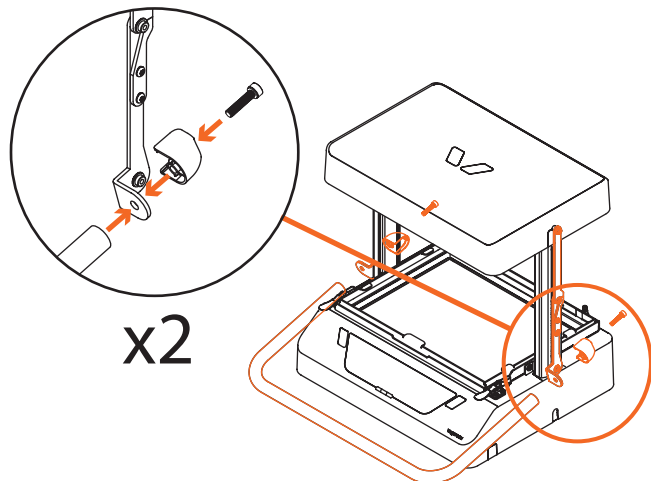
# HANDLEBAR



1 Lock the linkage.

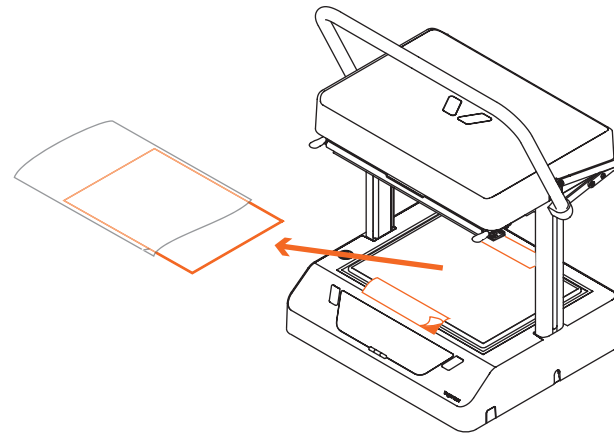


2 Screw the handlebar onto the linkage and the shoulder cap.

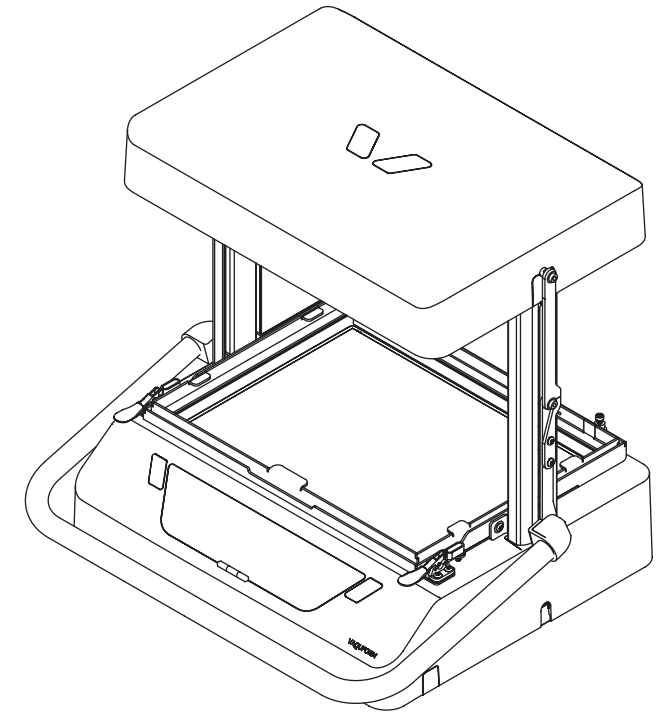
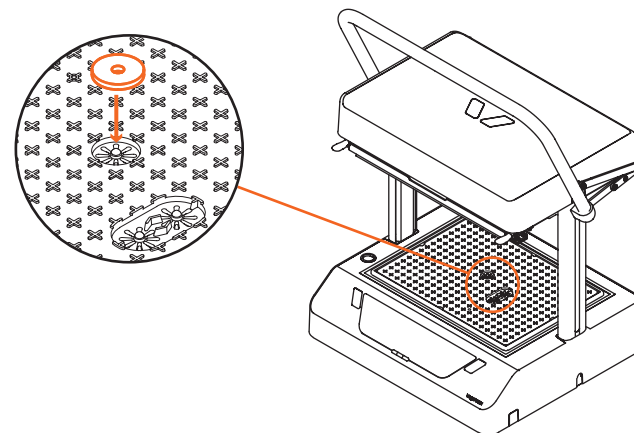
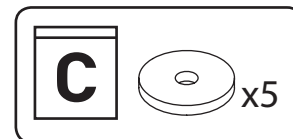


# MESH & FILTER

1 Raise the handlebar then remove the mesh from the plastic.



2 Place a filter on the second vacuum port. Return the mesh on top of the platen.



VAQUFORM™

# ASSEMBLY COMPLETE

Please read the full manual before operating the machine.

©2019

All Rights Reserved

Vaquiform, Inc.

+1866-844-2840

9410 Owensmouth Ave.

Chatsworth, CA 91311,

USA

[www.vaquiform.com](http://www.vaquiform.com)