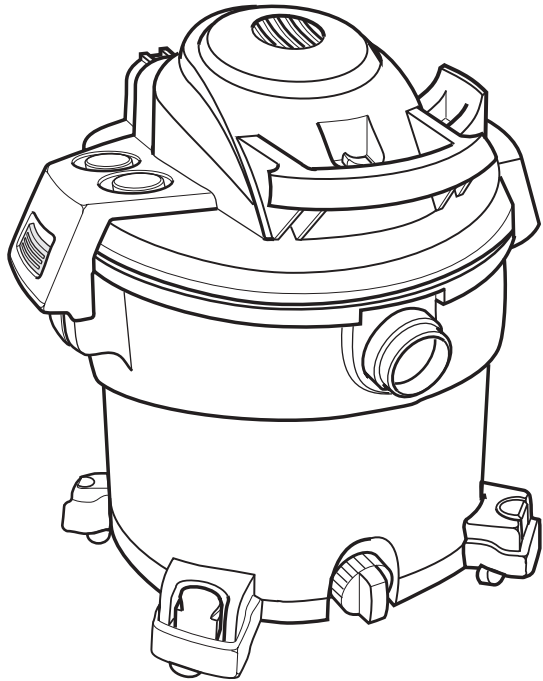




## OWNER'S MANUAL

16 U.S. GALLONS / 60 Liters  
WET/DRY VAC

**WD16400**



FOR QUESTIONS OR INFORMATION CONTACT US AT  
**1-800-4-RIDGID (1-800-474-3443) from the US and Canada**  
**or 01-800-701-9811 from Mexico**  
[store.ridgid.com/wetdry](http://store.ridgid.com/wetdry)

### **⚠ WARNING:**

To reduce the risk of injury, the user must read and understand the owner's manual before using this product.

Thank you for buying a RIDGID product.

- Español - página 17
- Français - page 33

**SAVE THIS MANUAL FOR FUTURE REFERENCE**

Part No. SP6975

Printed in Mexico

# Table of Contents

Section	Page	Section	Page
Important Safety Instructions . . . . .	2-3	To Store Your Accessories . . . . .	10
Introduction . . . . .	4	Maintenance . . . . .	11-13
Caster/Caster Foot Assembly . . . . .	5	Repair Parts . . . . .	14-15
Wet/Dry Vac Assembly . . . . .	6	Warranty . . . . .	16
Operation . . . . .	7-9		

## IMPORTANT SAFETY INSTRUCTIONS

Safety is a combination of using common sense, staying alert, and knowing how your Vacuum Cleaner ("Vac") works.

### Safety Signal Words

**⚠ DANGER:** Indicates a hazardous situation which, if not avoided, will result in death or serious injury.

**⚠ WARNING:** Indicates a hazardous situation which, if not avoided, could result in death or serious injury.

**⚠ CAUTION:** Indicates a hazardous situation which, if not avoided, could result in minor or moderate injury or property damage.

When using your Vac, always follow basic safety precautions including the following:

### ⚠ WARNING:

**- To reduce the risk of fire, electric shock, or injury:**

- Read and understand this manual and all labels on the Vac before operating.
- Use only as described in this manual.
- Do not leave Vac running while unattended - you may fail to notice important signs indicating abnormal operation such as loss of suction, debris exiting exhaust, or abnormal motor noises. Immediately stop using Vac if you notice these signs.
- Do not leave Vac when plugged in. Unplug from outlet when not in use and before servicing.
- Sparks inside the motor can ignite flammable vapors or dust. To reduce the risk of fire or explosion, do not use near combustible liquids, gases, or dusts, such as gasoline or other fuels,

lighter fluid, cleaners, oil-based paints, natural gas, coal dust, magnesium dust, grain dust, aluminum dust, or gun powder.

- Do not vacuum anything that is burning or smoking, such as cigarettes, matches, or hot ashes.
- To avoid the risk of self-ignition of drum debris, empty drum after each use. Combustible materials, such as rags or sawdust containing stain or urethane, can be sources of such overheating.
- Do not vacuum drywall dust, cold fireplace ash, or other fine dusts with standard filter. These may pass through the filter and be exhausted back into the air. Use a fine dust filter instead.
- To reduce the risk of inhaling toxic vapors, do not vacuum or use near toxic or hazardous materials.
- To reduce the risk of electric shock, do not expose to rain or allow liquid to enter motor compartment. Store indoors.
- This Wet/Dry Vac is not intended for use by persons (including children) with reduced physical, sensory, or mental capabilities, or lack of experience and knowledge, unless they have been given supervision or instruction concerning use of the appliance by a person responsible for their safety.
- Do not allow to be used as a toy. Close attention is necessary when used by or near children.
- Do not use with a torn filter or without the filter installed except when vacuuming liquids as described in this manual. Dry debris ingested by the impeller may damage the motor or be exhausted into the air.
- Turn off Vac before unplugging.

- To reduce the risk of injury from accidental starting, unplug power cord before changing or cleaning filter.
- Do not unplug by pulling on cord. To unplug, grasp the plug, not the cord.
- Do not use with damaged cord, plug or other parts. If your Vac is not working as it should, has missing parts, has been dropped, damaged, left outdoors, or dropped into water, call customer service.
- Do not pull or carry by cord, use cord as handle, close a door on cord, or pull cord around sharp edges or corners. Do not run Vac over cord. Keep cord away from heated surfaces.
- Do not handle plug, switch, or the Vac with wet hands.
- Use only extension cords that are rated for outdoor use. Extension cords in poor condition or too small in wire size can pose fire and shock hazards. To reduce the risk of these hazards, be sure the cord is in good condition and that liquid does not contact the connection. Do not use an extension cord with conductors smaller than 1,3 mm<sup>2</sup> (16 AWG).
- This Wet/Dry Vac is double-insulated, eliminating the need for a separate grounding system. Use only identical replacement parts. Read the instructions for Servicing Double-Insulated Wet/Dry Vacs before servicing.
- Do not put any object into ventilation openings. Do not vacuum with any ventilation openings blocked; keep free of dust, lint, hair or anything that may reduce air flow.
- Keep hair, loose clothing, fingers, and all parts of body away from openings and moving parts.
- To reduce the risk of falls, use extra care when cleaning on stairs.
- To reduce the risk of back injury or falls, do not lift a Vac that is heavy with liquid or debris. Partially empty the Vac by scooping debris or draining liquid to make it comfortable to lift.
- To reduce the risk of personal injury or damage to Vac, use only RIDGID recommended accessories.
- When using as a blower:
  - Direct air discharge only at work area.
  - Do not direct air at bystanders.
- Keep children away when blowing.
- Do not use blower for any job except blowing dirt and debris.
- Do not use as a sprayer.
- To reduce the risk of eye injury, wear safety eyewear. The operation of any utility Vac or blower can result in foreign objects being blown into the eyes, which can result in severe eye damage.
- To reduce the risk of being struck by, or pulled down by, a rolling Vac, block the casters when using on any uneven or sloped surface.

## **⚠ CAUTION:**

- To reduce the risk of hearing damage, wear ear protectors when using for an extended time or in a noisy area.
- For dusty operations, wear dust mask.
- Static shocks are common when the relative humidity of the air is low. Vacuuming fine debris with your Vac can deposit static charge on the hose or Vac. To reduce the frequency of static shocks in your home or when using this Vac, add moisture to the air with a humidifier.

Observe the following warnings that appear on the motor housing of your Vac:



**DOUBLE INSULATED -  
GROUNDING NOT REQUIRED.  
WHEN SERVICING USE ONLY  
IDENTICAL REPLACEMENT PARTS.**

## **⚠ WARNING:**

- **For your own safety, read and understand owner's manual.**
- **Do not run unattended.**
- **Do not pick up hot ashes, coals, flammable, combustible / self-igniting, toxic, or other hazardous materials.**
- **Do not use around explosive liquids or vapors.**

## **⚠ WARNING:**

**To Reduce The Risk Of Electric Shock – Do not expose to rain. Store indoors.**

# SAVE THIS MANUAL

# Introduction

This Wet/Dry Vac is intended for household use. It may be used for vacuuming wet or dry media and may be used as a blower.

Read this Owner's Manual to familiarize yourself with the product features and to understand the specific usage of your new Vac.

## Unpacking and Checking Carton Contents

Remove entire contents of carton. Check each item against the Carton Contents List. Contact 1-800-4-RIDGID from the US and Canada, 01-800-701-9811 from Mexico, or E-mail us at info@RIDGIDvac.com if any parts are damaged or missing.

### Carton Contents List

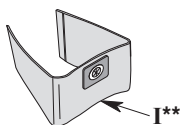
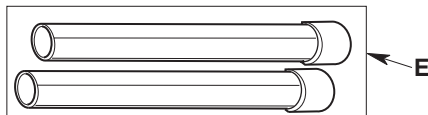
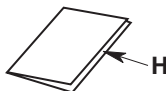
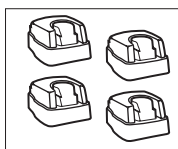
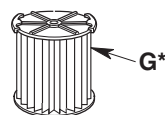
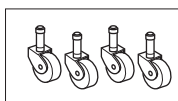
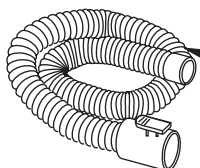
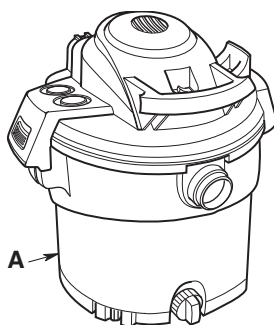
Key	Description	Qty
A	Wet/Dry Vac .....	1
B	Tug-A-Long Positive Locking Hose.....	1
C	Casters .....	4
D	Caster Foot w/Storage.....	4
E	Extension Wands.....	2
F	Utility Nozzle .....	1
G*	Qwik Lock™ Filter .....	1
H	Owner's Manual.....	1

\* The Filter comes preassembled to the Power Head Assembly.

### Select Models May Also Include:

I\*\* Disposable Filter Bag .....

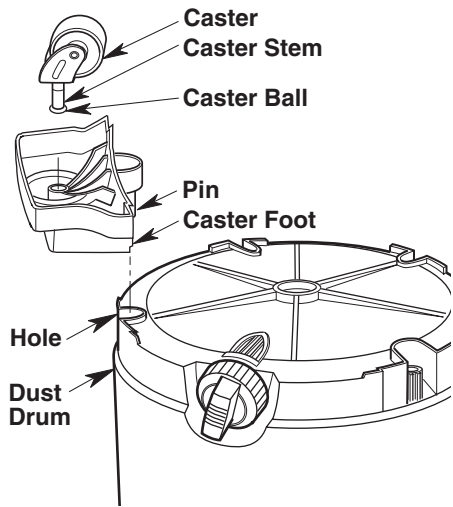
\*\*Check the Contents List on your carton for a list of included accessories.



# Caster/Caster Foot Assembly

**NOTE:** Remove Power Head Assembly from Drum prior to Caster Foot and Caster Assembly.

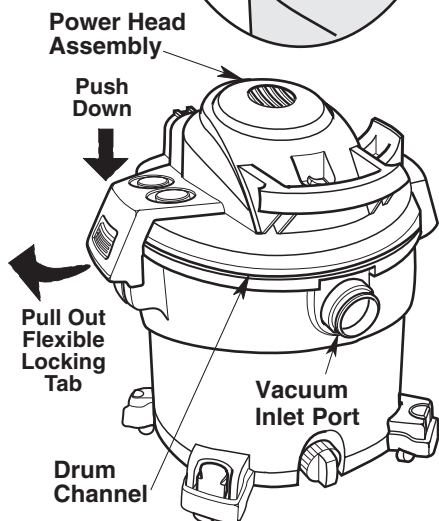
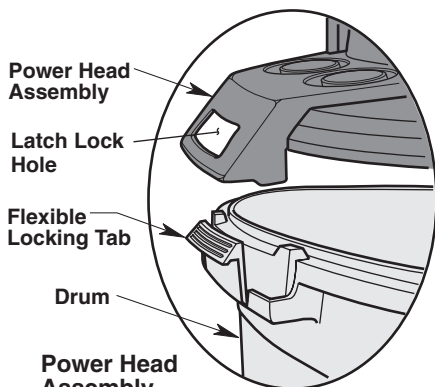
1. Turn the Dust Drum upside down on the floor.
2. Insert the Caster Feet into the bottom of Drum, as shown (4 places).
3. Push on the Caster Foot until the Foot is flush with bottom of the Dust Drum.
4. Insert the Caster Stem into the Socket of the Caster Foot, as shown (4 places).
5. Push on the Caster until the Ball on the Caster Stem is inserted all the way into the Socket. You will hear the Ball snap into the Socket and the Caster will swivel easily when positioning is correct.
6. Turn the Drum upright.



# Wet/Dry Vac Assembly

1. Line up front of Power Head Assembly with Vacuum Inlet Port located on the front of the Drum, as shown.
2. Place Power Head Assembly on top of Drum.
3. Be sure Power Head Assembly completely covers the top of the Drum so leakage does not occur.
4. Push down on the top of the Power Head Assembly to engage the Flexible Locking Tabs of the Drum into the Power Head Latch Lock Holes.
5. Make sure that the Locking Tabs are snapped in place to prevent the Power Head Assembly from coming off. (See inset).

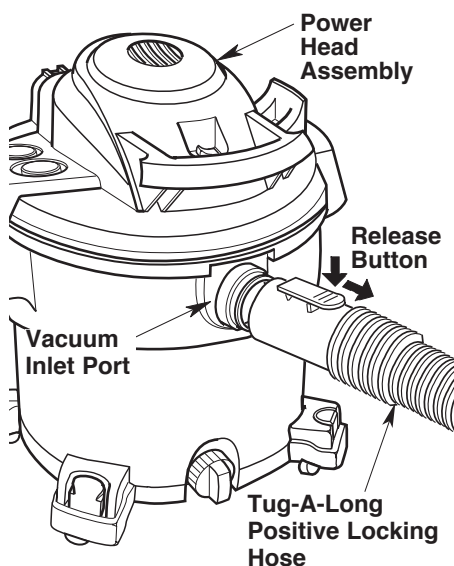
Your new Wet/Dry Vac is ready for use.



## Insert Hose

Insert the push button end of the Tug-A-Long Positive Locking Hose into the Vacuum Inlet Port of the Vac. The Hose should snap into place.

To remove the Hose from the Vac, press the release button on the Hose Assembly and pull the Hose out of the Vacuum Inlet Port, as shown.



# Operation

## **⚠ WARNING:** To reduce the risk of fire, explosion, or damage to Vac:

- Do not leave Vac running while unattended - you may fail to notice important signs indicating abnormal operation such as loss of suction, debris exiting the exhaust, or abnormal motor noises. Immediately stop using Vac if you notice these signs.
- Do not leave Vac plugged in when not in use.
- Do not continue running when float has cut off suction.
- Sparks inside the motor can ignite airborne flammables. Do not operate Vac near flammable liquids or in areas with flammable gases, vapors, or explosive/airborne dust. Flammable liquids, gases, and vapors include: lighter fluid, solvent-type cleaners, oil-based paints, gasoline, alcohol, and aerosol sprays. Explosive dusts include: coal, magnesium, aluminum, grain, and gun powder.
- Do not vacuum up explosive dusts, flammable liquids, or hot ashes.
- Do not leave sawdust or rags with stain or polyurethane residue inside Vac. Empty drum after picking up these potentially self-heating materials.

## **⚠ WARNING:** To reduce the risk of electric shock or injury:

- Do not expose to rain or allow liquid to enter motor compartment. Store indoors.
- Do not handle the plug, switch, or Vac with wet hands.
- Unplug Vac before servicing. If your Vac is not working properly, has missing parts, has been dropped, damaged, left outdoors, or dropped into water, return it to an authorized service center or call customer service.
- When using an extension cord, use only outdoor-rated cords that are in good condition. Do not allow the connection to come into contact with liquid.

## **⚠ CAUTION:** To reduce the risk of hearing damage, wear ear protectors when using the Vac/Blower for an extended time or in a noisy area.

### Polarized Plug

To reduce the risk of electric shock, this Vac has a Polarized Plug (one blade is wider than the other except 230 volt models). This Plug will fit in a Polarized Outlet only one way. If the Plug does not fit fully in the Outlet, reverse the Plug. If it still does not fit, contact a qualified electrician to install the proper Outlet. Do not change the Plug in any way.

After you Plug the Power Cord into the Outlet, turn the Unit on by pushing the Switch from position "O" to position "I". The symbols used on the Switch Actuator are international "On & Off" symbols:

○ = OFF | = ON

Familiarize yourself with the Accessories included with the Vac. Each Accessory may be used in various ways for vacuuming and blowing debris. Here is a list of the Accessories and their uses.

**Utility Nozzle** - General purpose Nozzle for most vacuuming applications.

**Extension Wands** - These Wands can be connected together and provides additional length for more reach.

**Tug-A-Long Positive Locking Hose** - Provides transfer of vacuum or blowing capability to work site. Provides the means of attaching extension wands and nozzles.

# Operation (continued)

## Vacuumping Dry Materials

1. The Filter must always be in correct position at all times to avoid leaks and possible damage to Vac.
2. When using your Vac to pick up very fine dust, it will be necessary for you to empty the Drum and clean the Filter at more frequent intervals to maintain peak Vac performance.

**NOTE:** A dry Filter is necessary to pick up dry material. If you use your Vac to pick up material when the Filter is wet, the Filter will clog quickly and be very difficult to clean.

## Vacuumping Liquids

1. When picking up small amounts of liquid (2 - 4 inches (5 - 10 cm) of liquid in the bottom of the drum) the Filter may be left in place.
2. When picking up larger amounts of liquid (more than 4 inches (10 cm) of liquid in the bottom of the drum) we recommend that the Filter be removed. If the Filter is not removed, it will become saturated and misting may appear in the exhaust.
3. When the liquid in the Drum reaches a predetermined level, the float mechanism will rise automatically to cut off air-flow. You will know that the float has risen because Vac airflow ceases and the motor noise will become higher in pitch, due to increased motor speed. When this happens, turn off the Vac, unplug the Power Cord, and empty the Drum.

### **⚠ WARNING:**

Do not operate without filter cages and floats, as they prevent liquid from entering the impeller and damaging the motor.

4. After using the Vac to pick up liquids, the Filter must be dried to avoid possible mildew and damage to the Filter.

**IMPORTANT:** To reduce the risk of damage to the Vac, do not run Vac with Float in raised position.

## Emptying the Drum

### **⚠ WARNING:**

To reduce the risk of injury from accidental starting, unplug power cord before emptying the drum.

1. The Vac comes equipped with a Drain for easy emptying of liquids. Simply unscrew the Drain Cap and lift the opposite side slightly to empty the Drum.
2. Another option is to remove the Power Head Assembly. Pull the Flexible Latches outward on each side of the Power Head Assembly to release from the Drum.
3. While holding the Latches out, lift the Power Head Assembly up and away from the Drum.
4. Lay Power Head Assembly upside down on a clean area while emptying Drum or changing Filter.
5. Dump the Drum contents into the proper waste disposal container.

### **⚠ WARNING:**

To reduce the risk of back injury or falls, do not lift a Vac heavy with liquid or debris. Scoop or drain enough contents out to make the Vac light enough to lift comfortably.

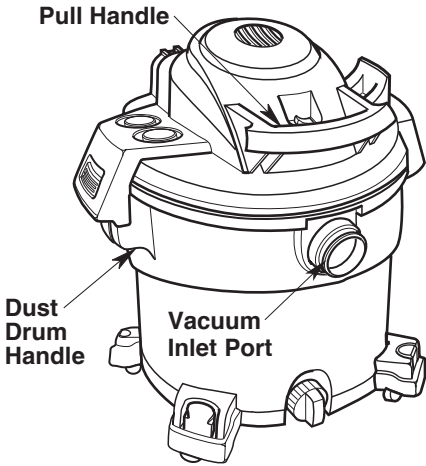


## Operation (continued)

### Moving the Wet/Dry Vac

Should it become necessary to pick the Vac up to move it, the Handles on the sides of the Dust Drum are used to lift.

To maneuver the Vac, the Pull Handle, above the Vacuum Inlet Port should be used.



### Blowing Feature

Your Wet/Dry Vac features a Blowing Port. It can blow sawdust and other debris. Follow the steps below to use your Vac as a Blower.

1. Locate Blowing Port of your Wet/Dry Vac.
2. Insert the Push Button End of the Tug-A-Long Positive Locking Hose into the Blowing Port of the Vac.
3. (Optional) Attach Extension Wand to Swivel End of Hose, then place the Utility Nozzle on the Wand.
4. Turn Vac on and you are ready to use your Vac as a Blower.

### ⚠ WARNING:

Always wear safety eyewear complying with ANSI Z87.1 (or in Canada, CSA Z94.3) before using as a blower.

### ⚠ WARNING:

To reduce the risk of injury to bystanders, keep them clear of blowing debris.

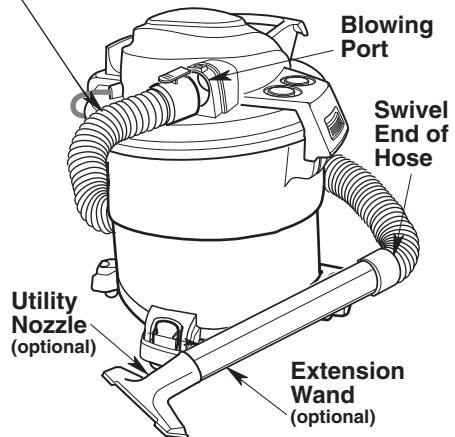
### ⚠ CAUTION:

Wear a dust mask if blowing creates dust which might be inhaled.

### ⚠ CAUTION:

To reduce the risk of hearing damage, wear ear protectors when using the Vac/Blower for an extended time or in a noisy area.

### Tug-A-Long Positive Locking Hose

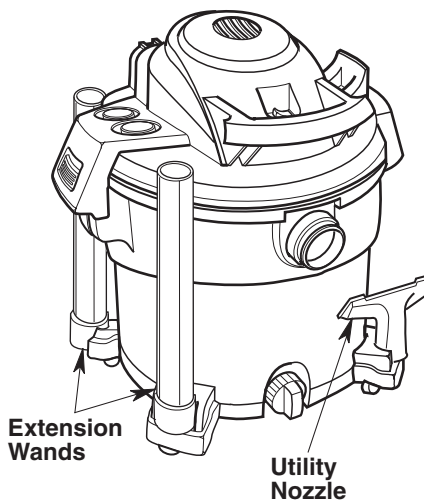


# To Store Your Accessories

## Accessory Storage

Slide Extension Wands and Utility Nozzle over the Rings on the Caster Feet.

To remove Extension Wands and Utility Nozzle, lightly rotate and pull upward.

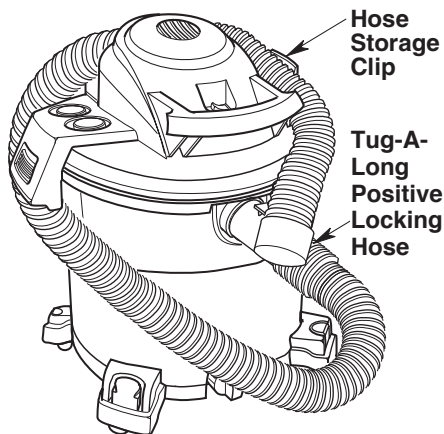


## Hose Storage

Wrap the Tug-A-Long Positive Locking Hose around Power Head Assembly through Hose Storage Clip to secure the Hose.

### ⚠ CAUTION:

Do not operate vacuum while the hose is still wrapped around the power head assembly in the storage position.

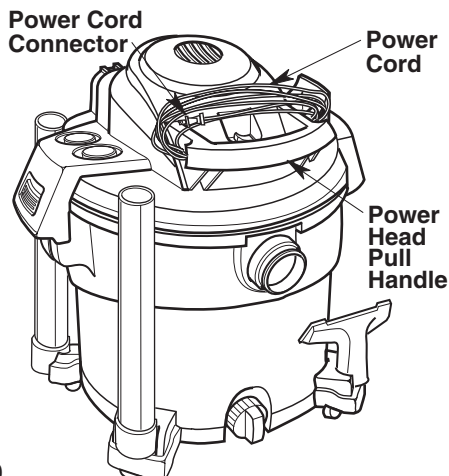


### ⚠ WARNING:

Do not put any object into ventilation openings. Do not vacuum with any ventilation openings blocked; keep free of dust, lint, hair or anything that may reduce air flow.

## Cord Storage

Simply wrap the Power Cord around the Power Head Assembly Pull Handle and snap the Power Cord Connector on the Plug to a wrap of the Cord.



# Maintenance

## Filter

### **⚠ WARNING:**

To reduce the risk of injury from accidental starting, unplug power cord before changing or cleaning filter.

**NOTE:** The Filter is made of high quality paper designed to stop very small particles of dust. The Filter can be used for dry pick up or small amounts of liquid. Handle the Filter carefully when removing to clean or installing it. Creases in the Filter pleats may occur from installation but will not affect the performance of the Filter.

## Removal and Installation of the Qwik Lock™ Filter

### Filter Removal:

1. Hold the Filter Tabs of the Qwik Lock™ Filter in each hand.
2. With one thumb on the Qwik Lock™ Stud, which protrudes through the integrated Filter Plate, lift up on the Filter Tabs while pushing down on the Stud.
3. This action will cause the Filter to release from the Filter Cage. Slide Filter off Cage.

**IMPORTANT:** To avoid damage to the blower wheel and motor, always reinstall the Filter before using the Vac for dry material pick-up.

### Filter Installation:

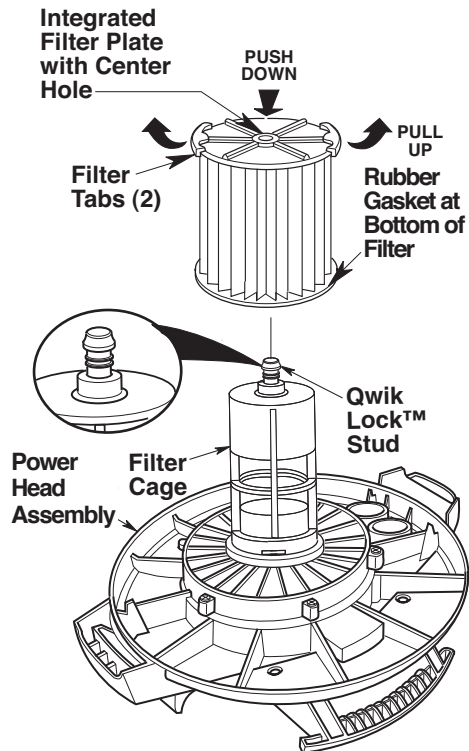
1. Carefully slide the Qwik Lock™ Filter over the Filter Cage and press down on the outside edge of the Filter until the Rubber Gasket on the bottom of the Filter seats securely around the base of the Filter Cage and against the Power Head Assembly.

2. Align the small center hole in the top of the Filter over the Qwik Lock™ Stud on the Filter Cage. Press firmly on top of the Filter near the Stud to allow the Filter to snap over the Ball on the end of the Stud. The Filter is now attached.

**NOTE:** Failure to properly seat the bottom gasket could result in debris bypassing the Filter.

### **⚠ WARNING:**

Do not operate without filter cage and float, as they prevent liquid from entering the impeller and damaging the motor.



Your Filter should be cleaned often to maintain peak Vac performance.

# Maintenance (continued)

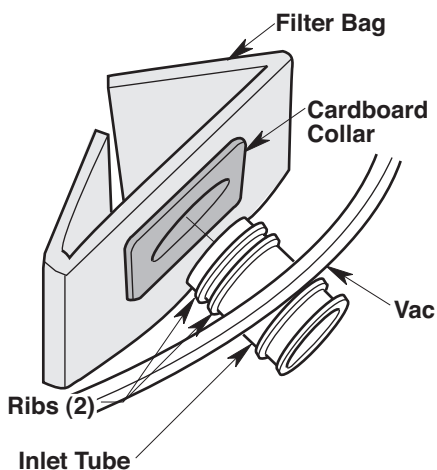
## Filter Bag

### INSTALLATION INSTRUCTIONS

A Filter Bag may be used in place of or in addition to the Qwik Lock™ Cartridge Filter.

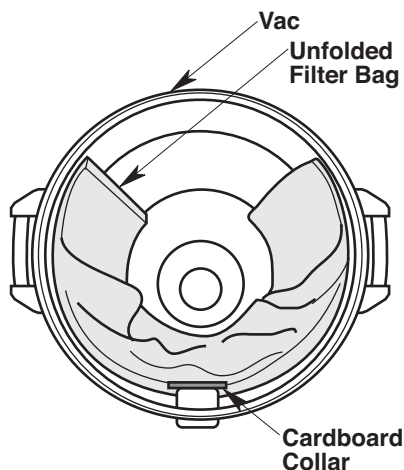
**NOTE:** When picking up dry debris a filter bag or cartridge filter must be properly installed.

1. Filter Bag to be used to pick up dry debris only.
2. Correct positioning of cardboard collar is required to assure proper seal.
3. Locate two ribs on inlet tube, inside drum.
4. Slide cardboard collar onto inlet tube and position cardboard collar between the two ribs.
5. With the cardboard collar securely installed, unfold and position Filter Bag inside drum, as shown.



### REMOVAL INSTRUCTIONS

1. Slide cardboard collar toward center of Vac drum.
2. Remove Filter Bag from Vac drum and discard.
3. Install new Filter Bag.



## **⚠ WARNING:**

Do not operate without filter cage. To avoid health hazards from vapors or dust, do not vacuum toxic, carcinogenic or other hazardous materials such as asbestos, arsenic, barium, beryllium, lead, pesticides or other health endangering materials.

## **⚠ CAUTION:**

To avoid spilled debris, when picking up heavy or sharp material, monitor bag volume and do not overfill.

# Maintenance (continued)

## Cleaning A Dry Filter

1. Some removal of dry debris can be accomplished without removing the Filter from the Vac. Slap your hand on top of the Power Head Assembly while the Vac is turned off.
2. For best cleaning results due to accumulated dust, clean the Filter in an open area. Cleaning **SHOULD** be done outdoors and not in the living quarters.
3. After Filter removal from Vac, remove the dry debris by gently tapping Filter against the inside wall of your dust drum. The debris will loosen and fall.
4. For thorough cleaning of dry Filter with fine dust (no debris), run water through it as described under "Cleaning A Wet Filter"

## Cleaning A Wet Filter

After Filter is removed, run water through the Filter from a hose or spigot. Take care that water pressure from the hose is not strong enough to damage Filter.

**IMPORTANT:** After cleaning, check the Filter for tears or small holes. Do not use a Filter with holes or tears in it. Even a small hole can cause a lot of dust to come out of your Vac. Replace it immediately.

Allow the Filter to dry before reinstalling and storing the Vac or picking up dry debris.

## Cleaning and Disinfecting the Wet/Dry Vac

To keep your Wet/Dry Vac looking its best, clean the outside with a cloth dampened with warm water and mild soap.

To clean the drum:

1. Dump debris out.
2. Wash Drum thoroughly with warm water and mild soap.
3. Wipe out with dry cloth.

Before prolonged storage or as needed (i.e.; waste water pick up) the Drum should be disinfected.

To disinfect the Drum:

1. Pour 1 gallon (4 L) of water and 1 teaspoon (5 mL) chlorine bleach into the Drum.
2. Let solution stand for 20 minutes, carefully swishing every few minutes, making sure to wet all inside surfaces of the Drum.
3. Empty Drum after 20 minutes. Rinse with water until bleach smell is gone. Allow Drum to dry completely before sealing the motor on the Drum.

## Cord Maintenance

When vacuuming is complete, unplug the Cord and wrap it around the Power Head Assembly Pull Handle. If the Power Cord is damaged, it must be replaced by the manufacturer or their service agent or by similarly qualified personnel to reduce the risk of accident.

## Storage

Before storing your Vac, the Drum should be emptied and cleaned. The Cord should be wrapped around the unit and the Hose should be stored as described in this manual. Accessories should be kept in the same area as the Vac so they can be readily available. The Vac should be stored indoors.

## Casters

If your Casters are noisy, you may put a drop of oil on the roller shaft to make them quieter.

## **▲ WARNING:**

To assure product **SAFETY** and **RELIABILITY**, any other maintenance, repairs and adjustments should be performed by Authorized Service Centers, always using **RIDGID** replacement parts.

# Repair Parts


16 U.S. Gallons / 60 Liters Wet/Dry Vac  
Model Number WD16400

Electrical Rating:  
120 V 9 A 60 Hz

RIDGID parts are available on-line at [store.ridgid.com/wetdry](http://store.ridgid.com/wetdry)  
Always order by Part Number - Not by Key Number

## **⚠ WARNING:**

### **SERVICING OF DOUBLE-INSULATED WET/DRY VAC**

In a double-insulated Wet/Dry Vac, two systems of insulation are provided instead of grounding. No grounding means is provided on a double-insulated appliance, nor should a means for grounding be added. Servicing a double-insulated Wet/Dry Vac requires extreme care and knowledge of the system, and should be done only by qualified service personnel. Replacement parts for a double-insulated Wet/Dry Vac must be identical to the parts they replace. Your double-insulated Wet/Dry Vac is marked with the words "DOUBLE INSULATED" and the symbol  (square within a square) may also be marked on the appliance.

To reduce the risk of injury from electrical shock, unplug power cord before servicing the electrical parts of the Wet/Dry Vac.

## **⚠ WARNING:**

To reduce the risk of injury from electrical shock, unplug power cord before servicing the electrical parts of the Wet/Dry Vac.

## **⚠ WARNING:**

All disassembly and repairs should be performed by qualified personnel.

Key No.	Part Number	Description
1	832086	Rocker Switch
2	820563-4	* Screw, Pan Hd. Ty. "AB" 10 x 3/4" (19 mm) Ser.
3	818961	Spacer
4	818413-3	Blower Wheel
5	315534-1	Washer
6	826817	Nut, Hex Flange
7	820563-7	* Screw, Pan Hd. Ty. "AB" 10 x 3/4" (19 mm) Ser.
8	833185	Collector
9	509488	Float

Key No.	Part Number	Description
10	823201-3	Filter Cage
11	VF4000	†Qwik Lock™ Filter
12	73185	Drain Cap
13	832084	Caster Foot w/Storage
14	73137	Caster
15	VT1709	†Utility Nozzle
16	VT1720	†Tug-A-Long Positive Locking Hose
17	VT1708	†Extension Wand
18	VF3502	†Disposable Filter Bag
19	SP6975	Owner's Manual

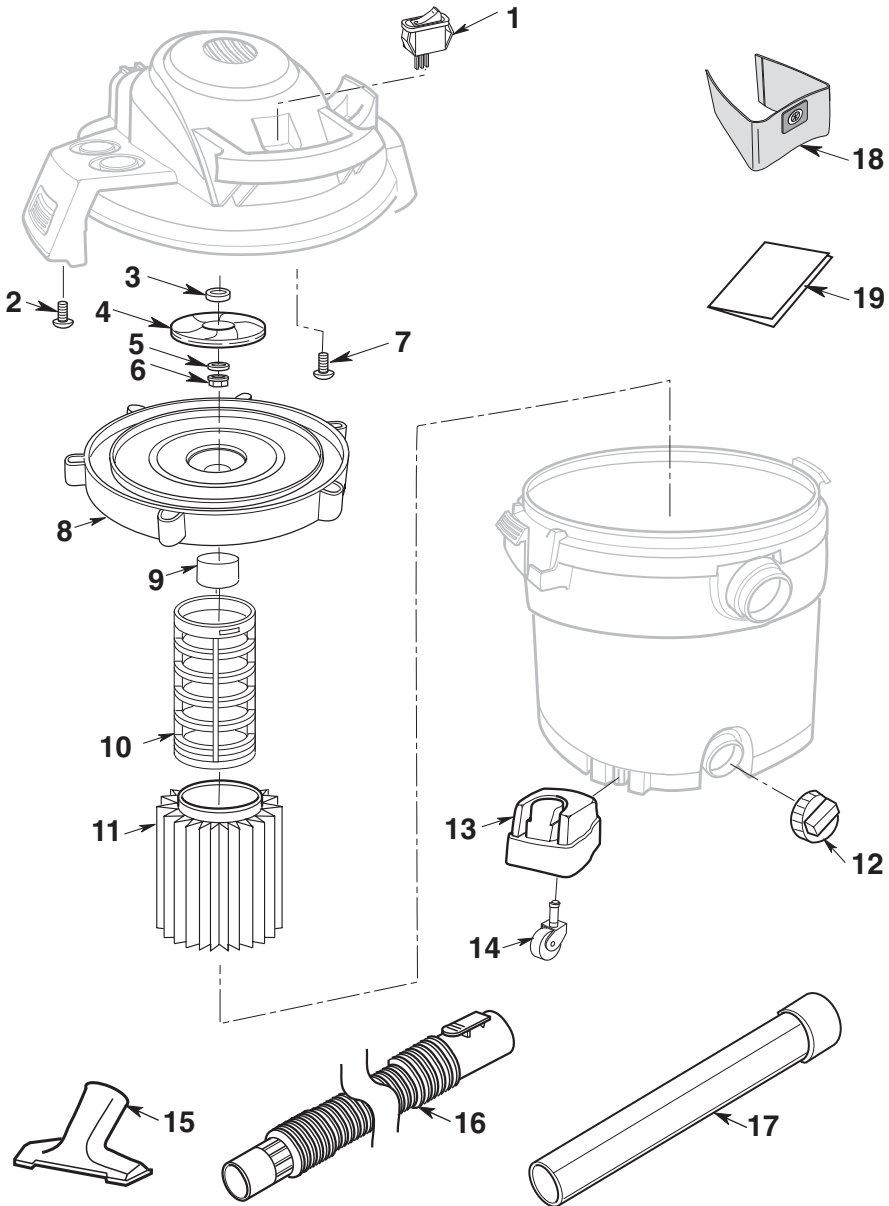
\* Standard Hardware Item - May Be Purchased Locally

† These replacement parts are available where you purchased your Vac.

# Repair Parts (continued)

16 U.S. Gallons / 60 Liters Wet/Dry Vac  
Model Number WD16400

RIDGID parts are available on-line at [store.ridgid.com/wetdry](http://store.ridgid.com/wetdry)





## Symbol of Quality, Durability and Dependability

- **What is covered**

RIDGID® Wet/Dry Vacs are warranted to be free of defects in workmanship and material.

- **How long coverage lasts**

This warranty lasts for the lifetime of the RIDGID® Wet/Dry Vac.

- **How to obtain service**

To obtain the benefit of this warranty, deliver via prepaid transportation the complete product to RIDGE TOOL COMPANY, Elyria, Ohio, or any authorized RIDGID® INDEPENDENT SERVICE CENTER. Pipe wrenches and other hand tools should be returned to the place of purchase.

- **What we will do to correct problems**

Warranted Wet/Dry Vacs will be repaired or replaced, at Ridge Tool Company's option, and returned at no charge; or, if after three attempts to repair or replace during the warranty period the Wet/Dry Vac is still defective, you can elect to receive a full refund of your purchase price.

- **What is not covered**

Failures due to misuse, abuse or normal wear and tear are not covered by this warranty. **RIDGE TOOL COMPANY SHALL NOT BE RESPONSIBLE FOR ANY INCIDENTAL OR CONSEQUENTIAL DAMAGES.**

- **How local laws relate to the warranty**

Some states do not allow the exclusion or limitation of incidental or consequential damages, so the above limitation or exclusion may not apply to you. This warranty gives you specific rights, and you may also have other rights which vary from state to state, province to province, or country to country.

- **No other express warranty applies**

This FULL LIFETIME WARRANTY is the sole and exclusive warranty for RIDGID® Wet/Dry Vacs. No employee, agent, dealer, or other person is authorized to alter this warranty or make any other warranty on behalf of Ridge Tool Company.

**Stock No. WD1640**  
**Model No. WD16400**  
**Serial Number \_\_\_\_\_**

Model and serial numbers may be found next to the blowing port. You should record both model and serial numbers in a safe place for future use.

**FOR QUESTIONS OR INFORMATION CONTACT US AT**

**1-800-4-RIDGID (1-800-474-3443) from the US and Canada**  
**01-800-701-9811 from Mexico**

**[www.ridgid.com/vacwarranty](http://www.ridgid.com/vacwarranty)**

**Please have your Model Number and Serial Number on hand when calling.**



**EMERSON™**

**[www.RIDGID.com](http://www.RIDGID.com)**

© 2020 Emerson

Part No. SP6975

Form No. SP6975-3

Printed in Mexico 04/20

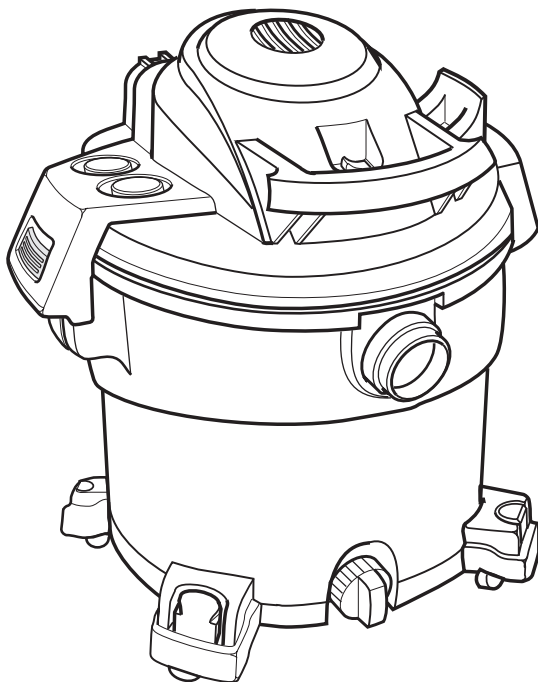


# RIDGID®

## MANUAL DEL USUARIO

### ASPIRADORA PARA MOJADO/SECO DE 16 GALONES EE.UU./60 Litros

## WD16400



¿PREGUNTAS O COMENTARIOS? COMUNÍQUESE CON NOSOTROS EN  
**1-800-4-RIDGID (1-800-474-3443)** desde los EE.UU. y Canadá  
**01-800-701-9811** desde México  
[store.ridgid.com/wetdry](http://store.ridgid.com/wetdry)

### **⚠ ADVERTENCIA:**

Para reducir el riesgo de lesiones, el usuario debe leer y entender el manual del operador antes de utilizar este producto.

Gracias por comprar un producto RIDGID.

- English – page 1
- Français – page 33

**GUARDE ESTE MANUAL PARA REFERENCIA FUTURA**

No. de pieza SP6975

Impreso en México

# Índice

Sección	Página	Sección	Página
Instrucciones de seguridad importantes . . . . .	18-19	Funcionamiento . . . . .	23-25
Introducción . . . . .	20	Para guardar los accesorios . . . . .	26
Ensamblaje de las ruedecillas/patas para ruedecilla . . . . .	21	Mantenimiento . . . . .	27-29
Ensamblaje de la aspiradora para mojado/seco . . . . .	22	Piezas de repuesto . . . . .	30-31
		Garantía . . . . .	32

## INSTRUCCIONES DE SEGURIDAD IMPORTANTES

La seguridad es una combinación de sentido común, permanecer alerta y saber cómo funciona la aspiradora para mojado/seco ("la aspiradora").

### Palabras de señal de seguridad

**⚠ PELIGRO:** Indica una situación peligrosa que, si no se evita, causará la muerte o lesiones graves.

**⚠ ADVERTENCIA:** Indica una situación peligrosa que, si no se evita, podría causar la muerte o lesiones graves.

**⚠ PRECAUCIÓN:** Indica una situación peligrosa que, si no se evita, pudiera causar lesiones leves o moderadas o daños materiales.

Cuando utilice la aspiradora, siga siempre las precauciones básicas de seguridad, incluyendo las siguientes:

### ⚠ ADVERTENCIA: – Para reducir el riesgo de incendio, sacudidas eléctricas o lesiones:

- Lea y entienda este manual del usuario y todas las etiquetas que están colocadas en la aspiradora para mojado/seco antes de utilizarla.
- Utilice la aspiradora únicamente de la manera que se describe en este manual.
- No deje la aspiradora en marcha mientras esté desatendida. Usted podría no notar señales importantes que indiquen un funcionamiento anormal, tal como pérdida de succión, residuos o líquido que salen por el escape o ruidos anormales del motor. Deje de usar la aspiradora inmediatamente si observa estas señales.
- No abandone la aspiradora cuando esté enchufada. Desenchúfela del tomacorriente cuando no la esté utilizando y antes de realizar servicio de revisión.
- Las chispas que se producen en el interior del motor pueden incendiar los vapores inflamables o el polvo. Para reducir el riesgo de incendio o explosión: No use la aspiradora cerca de líquidos o gases inflamables o combustibles, o polvos explosivos como gasolina u otros combustibles, líquido encendedor,

limpiadores, pinturas a base de aceite, gas natural, polvo de carbón, polvo de magnesio, polvo de granos de cereal, polvo de aluminio o pólvora.

- No recoja con la aspiradora nada que esté ardiendo o humeando, como cigarrillos, fósforos o cenizas calientes.
- Para evitar el riesgo de autoignición de los residuos contenidos en el tambor, vacíe el tambor después de cada uso. Los materiales combustibles, tales como trapos o aserrín que contengan tinte o uretano, pueden ser causas de dicho sobrecalentamiento.
- No recoja con la aspiradora polvo de panel de yeso o ceniza fría de chimenea u otros polvos finos con un filtro estándar. Estos materiales pueden pasar por el filtro y ser expulsados de vuelta al aire. Utilice un filtro para polvo fino en lugar de un filtro estándar.
- Para reducir el riesgo de que se produzcan peligros para la salud causados por vapores o polvo, no recoja con la aspiradora materiales tóxicos.
- Para reducir el riesgo de descargas eléctricas, no exponga la aspiradora a la lluvia ni deje que entren líquidos en el compartimiento del motor. Guarde la aspiradora en un lugar interior.
- Esta aspiradora mojado/seco no se destina para utilizarse por personas (incluyendo niños) cuyas capacidades físicas, sensoriales o mentales sean diferentes o estén reducidas, o carezcan de experiencia o conocimiento, a menos que dichas personas reciban una supervisión o capacitación para el funcionamiento del aparato por una persona responsable de su seguridad.
- No permita que la aspiradora se utilice como un juguete. Se necesita prestar máxima atención cuando sea utilizada por niños o cerca de éstos.
- No use la aspiradora con un filtro desgarrado o sin tener el filtro instalado, excepto cuando recoja con ella líquidos de la manera que se describe en este manual. Los residuos secos absorbidos por el impulsor podrían dañar el motor o ser expulsados de vuelta al aire.
- Apague la aspiradora antes de desenchufarla.
- Para reducir el riesgo de lesiones debidas a un arranque accidental, desenchufe el cordón de energía antes de cambiar o limpiar el filtro.
- No desenchufe la aspiradora tirando del cordón. Para desenchufarla, agarre el enchufe y no el cordón.


- No use la aspiradora con el cordón dañado, el enchufe dañado u otras piezas dañadas. Si la aspiradora no funciona como debe, le faltan piezas, se ha caído, ha sido dañada, se ha dejado a la intemperie o se ha caído al agua, llame a servicio al cliente.
- No tire de la aspiradora usando el cordón ni la lleve por el cordón, ni use el cordón como asa, ni cierre una puerta sobre el cordón, ni tire del cordón alrededor de bordes o esquinas afilados. No pase la aspiradora en marcha sobre el cordón. Mantenga el cordón alejado de las superficies calientes.
- No maneje el enchufe, el interruptor o la aspiradora con las manos mojadas.
- Utilice únicamente cordones de extensión que tengan capacidad nominal para uso a la intemperie. Los cordones de extensión que estén en malas condiciones o tengan un tamaño de alambre demasiado pequeño pueden crear peligros de incendio y descargas eléctricas. Para reducir el riesgo de estos peligros, asegúrese de que el cordón esté en buenas condiciones y que el líquido no entre en contacto con la conexión. No utilice un cordón de extensión con conductores de tamaño menor de 1,3 mm<sup>2</sup> (16 AWG).
- Esta aspiradora tiene aislamiento doble, lo cual elimina la necesidad de un sistema independiente de conexión a tierra. Utilice únicamente piezas de repuesto idénticas. Lea las instrucciones de servicio de revisión de las aspiradoras para mojado/seco con aislamiento doble antes de realizar dicho servicio.
- No ponga ningún objeto en las aberturas de ventilación. No recoja nada con la aspiradora cuando cualquiera de las aberturas de ventilación esté bloqueada; mantenga dichas aberturas libres de polvo, pelusa, pelo o cualquier cosa que pueda reducir el flujo de aire.
- Mantenga el pelo, la ropa holgada, los dedos y todas las partes del cuerpo alejados de las aberturas y de las piezas móviles.
- Para reducir el riesgo de caídas, tenga cuidado adicional al limpiar en escaleras.
- Para reducir el riesgo de lesiones de espalda o caídas, no levante una aspiradora que pese mucho debido a que contiene líquido o residuos. Saque parte del contenido de la aspiradora o drénela parcialmente.
- Para reducir el riesgo de lesiones corporales o daños a la aspiradora, utilice únicamente accesorios recomendados por RIDGID.
- Cuando utilice la aspiradora como soplador :
  - Dirija la descarga de aire solamente hacia el área de trabajo.
  - No dirija el aire hacia las personas que estén presentes.

- Mantenga alejados a los niños durante la operación de soplado.
- No utilice el soplador para trabajos que no sean soplar suciedad y residuos.
- No use la aspiradora como rociador.
- Para reducir el riesgo de lesiones en los ojos, use protección ocular de seguridad. La utilización de cualquier aspiradora utilitaria o soplador utilitario puede hacer que se soplen objetos extraños hacia los ojos, lo cual puede causar daños graves en los ojos.
- Para reducir el riesgo de resultar golpeado o jalado por una aspiradora que esté rodando, bloquee las ruedecillas cuando utilice la aspiradora sobre una superficie desigual o inclinada.

## **▲ PRECAUCIÓN:**

- Para reducir el riesgo de daños a la audición, use protectores de oídos cuando utilice la aspiradora durante muchas horas seguidas o cuando la emplee en un área ruidosa.
- Para operaciones que generan polvo, use una máscara antipolvo.
- Las descargas de estática son comunes cuando la humedad relativa del aire es baja. Si recoge residuos finos con la aspiradora, se puede depositar carga estática en la manguera o en la aspiradora. El mejor remedio para reducir la frecuencia de las descargas de estática en su casa o cuando use esta aspiradora es añadir humedad al aire con un humidificador.

Siga las siguientes advertencias que aparecen en la caja del motor de la aspiradora:

 AISLAMIENTO DOBLE.  
NO SE REQUIERE CONEXION A TIERRA.  
CUANDO HAGA SERVICIO DE REVISIÓN DE LA ASPIRADORA, UTILICE ÚNICAMENTE PIEZAS DE REPUESTO IDÉNTICAS.

## **▲ ADVERTENCIA:**

- Para su propia seguridad, lea y entienda el manual del operador.
- No tenga en marcha la aspiradora desatendida.
- No recoja cenizas calientes, brasas, materiales inflamables, combustibles/autoincendiables o tóxicos, ni otros materiales peligrosos.
- No use la aspiradora alrededor de líquidos o vapores explosivos.

## **▲ ADVERTENCIA:**

Para reducir el riesgo de sacudidas eléctricas, no exponga la aspiradora a la lluvia y almacénela en interiores.

# GUARDE ESTE MANUAL

# Introducción

Esta aspiradora para mojado/seco está diseñada solamente para uso doméstico. Se puede utilizar para recoger materiales mojados o secos y se puede usar como soplador.

Lea este manual del usuario para familiarizarse con las características del producto y para entender la utilización específica de su nueva aspiradora.

## Desempaquetado y comprobación del contenido de la caja de cartón

Saque todo el contenido de la caja de cartón. Asegúrese de que no falte ningún artículo utilizando la lista del contenido de la caja. Llame al 1-800-4-RIDGID (1-800-474-3443) desde los EE.UU. y Canadá, y al 01-800-701-9811 desde México, o envíenos un correo electrónico a [info@RIDGIDvac.com](mailto:info@RIDGIDvac.com) si cualquier pieza está dañada o falta.

### Lista del contenido de la caja de cartón

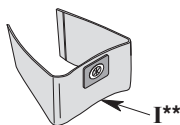
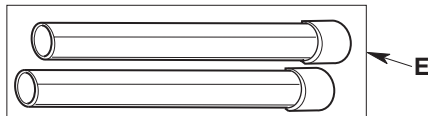
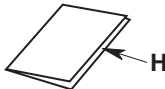
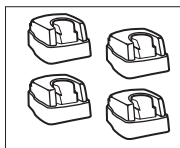
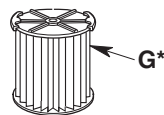
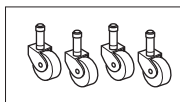
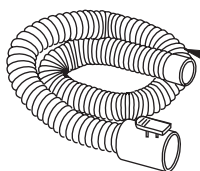
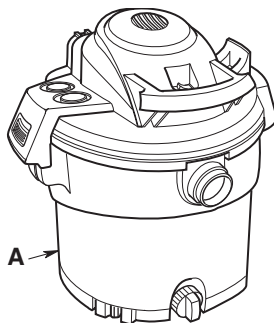
Clave	Descripción	Cant.
A	Aspiradora para mojado/seco . . . . .	1
B	Manguera con fijación positiva Tug-A-Long . . . . .	1
C	Ruedecillas . . . . .	4
D	Pata para ruedecilla con área para guardar . . . . .	4
E	Tubos extensores . . . . .	2
F	Boquilla de uso general . . . . .	1
G*	Filtro Qwik Lock™ . . . . .	1
H	Manual del usuario . . . . .	1

\* El filtro viene preensamblado al ensamblaje del cabezal del motor.

### Los modelos selectos también pueden incluir:

I\*\* Bolsa de filtro desechable . . . . . 1

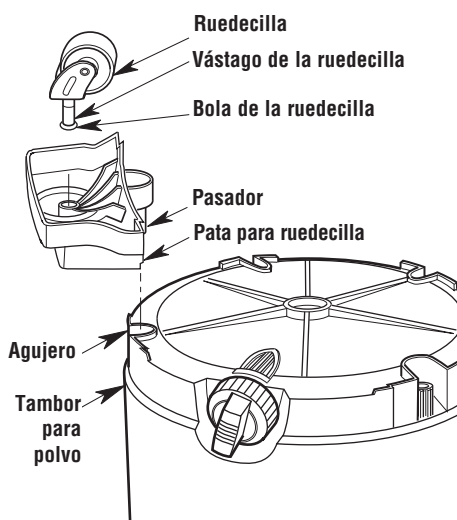
\*\* Consulte la lista de contenido de la caja de cartón para obtener una lista de los accesorios incluidos.



## Ensamblaje de las ruedecillas/patas para ruedecilla —

**NOTA:** Retire del tambor el ensamblaje del cabezal del motor antes de realizar el ensamblaje de los pies de ruedecilla y las ruedecillas.

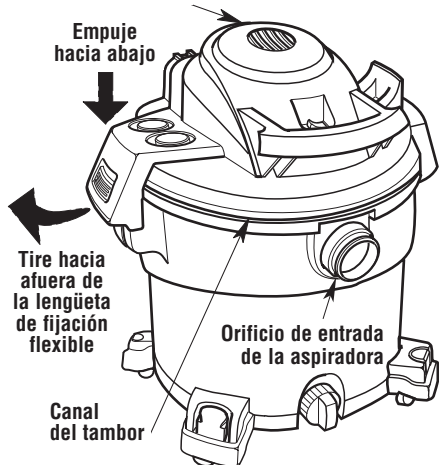
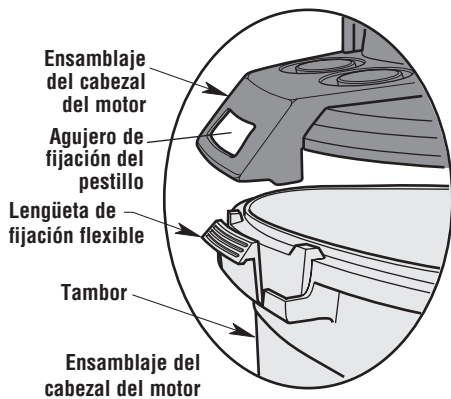
1. Ponga el tambor para polvo en posición invertida sobre el piso.
2. Introduzca las patas para ruedecilla en la parte inferior del tambor, tal como se muestra (4 lugares).
3. Ejerza presión sobre la pata para ruedecilla hasta que la pata esté al ras con la parte inferior del tambor para polvo.
4. Introduzca el vástago de la ruedecilla en el receptáculo de la pata para ruedecilla, tal como se muestra (4 lugares).
5. Ejerza presión sobre la ruedecilla hasta que la bola del vástago de la ruedecilla se introduzca del todo en el receptáculo. Se podrá oír como la bola encaja en el receptáculo con un chasquido y la ruedecilla oscilará fácilmente cuando el posicionamiento sea correcto.
6. Ponga el tambor en posición vertical.



# Ensamblaje de la aspiradora para mojado/seco

1. Alinee la parte delantera del ensamblaje del cabezal del motor con el orificio de entrada de la aspiradora ubicado en la parte delantera del tambor, de la manera que se muestra en la ilustración.
2. Coloque el ensamblaje del cabezal del motor sobre el tambor.
3. Asegúrese de que el ensamblaje del cabezal del motor cubra completamente la parte superior del tambor, para que no haya fugas.
4. Empuje hacia abajo sobre la parte superior del ensamblaje del cabezal del motor, para acoplar las lengüetas de fijación flexibles del tambor en el interior de los agujeros de fijación de los pestillos del cabezal del motor. (Vea el detalle.)
5. Asegúrese de que las lengüetas de fijación esté acopladas a presión en la posición correcta para impedir que el ensamblaje del cabezal del motor se desprenda.

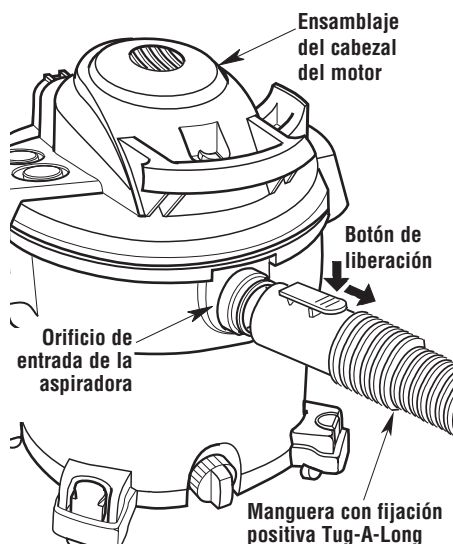
Una vez hecho esto, su aspiradora para mojado/seco nueva estará lista para utilizarse.



## Introduzca la manguera

Inserte el extremo con botón pulsador de la manguera con fijación positiva Tug-A-Long en el orificio de entrada de la aspiradora. La manguera se deberá acoplar a presión en la posición correcta.

Para retirar la manguera de la aspiradora, presione el botón de liberación ubicado en el ensamblaje de la manguera y jale la manguera hasta sacarla del orificio de entrada de la aspiradora, de la manera que se muestra en la ilustración.



# Funcionamiento

**⚠ ADVERTENCIA:** Para reducir el riesgo de incendio, explosión o daños a la aspiradora:

- No deje la aspiradora en marcha mientras esté desatendida. Usted podría no notar señales importantes que indiquen un funcionamiento anormal, tal como pérdida de succión, residuos o líquido que salen por el escape o ruidos anormales del motor. Deje de usar la aspiradora inmediatamente si observa estas señales.
- No deje la aspiradora enchufada cuando no se esté utilizando.
- No continúe usando la aspiradora cuando el flotador haya cortado la succión.
- Las chispas generadas dentro del motor pueden incendiar los materiales inflamables suspendidos en el aire. No utilice la aspiradora cerca de líquidos inflamables ni en áreas con gases o vapores inflamables o polvo explosivo/suspendido en el aire. Los líquidos inflamables, gases inflamables y los vapores inflamables incluyen: líquido encendedor, limpiadores tipo solvente, pinturas a base de aceite, gasolina, alcohol y rociadores tipo aerosol. Los polvos explosivos incluyen: carbón, magnesio, aluminio, grano de cereal y pólvora.
- No recoja con la aspiradora polvos explosivos, líquidos inflamables ni cenizas calientes.
- No deje aserrín ni trapos con residuos de tinte o de poliuretano dentro de la aspiradora. Vacíe el tambor después de recoger estos materiales potencialmente autocalentables.

**⚠ ADVERTENCIA:** Para reducir el riesgo de descargas eléctricas o lesiones:

- No exponga la aspiradora a la lluvia ni deje que entre líquido en el compartimiento del motor. Almacene la aspiradora en un lugar interior.
- No maneje el enchufe, el interruptor o la aspiradora con las manos mojadas.
- Desenchufe la aspiradora antes de hacerle servicio de ajustes y reparaciones. Si la aspiradora no está funcionando como debería, le faltan piezas, se ha caído, ha sido dañada, se ha dejado a la intemperie o se ha caído al agua, devuélvala a un centro de servicio autorizado o llame a servicio al cliente.
- Cuando utilice un cordón de extensión, utilice únicamente cordones con capacidad nominal para uso a la intemperie que estén en buenas condiciones. No deje que la conexión entre en contacto con líquido.

**⚠ PRECAUCIÓN:** Para reducir el riesgo de daños a la audición, use protectores de oídos cuando utilice la aspiradora/soplador durante un tiempo prolongado o en un área ruidosa.

## Enchufe polarizado

Para reducir el riesgo de sacudidas eléctricas, esta aspiradora tiene un enchufe polarizado (un terminal es más ancho que el otro, excepto en los modelos de 230 V). Este enchufe entrará en un tomacorriente polarizado solamente de una manera. Si el enchufe no entra por completo en el tomacorriente, déle la vuelta. Si sigue sin entrar, póngase en contacto con un electricista competente para instalar el tomacorriente adecuado. No haga ningún tipo de cambio en el enchufe.

Después de enchufar el cordón de energía en el tomacorriente, encienda la unidad empujando el interruptor de la posición "O" a la posición "I". Los símbolos utilizados en el accionador del interruptor son los símbolos internacionales de "encendido y apagado".

○ = APAGADO | = ENCENDIDO

Familiarícese con los accesorios que se incluyen con la aspiradora. Cada accesorio puede usarse de diversas maneras para aspirar y soplar residuos. A continuación hay una lista de los accesorios y de sus usos.

**Boquilla de uso general:** Boquilla que se usa en la mayoría de las aplicaciones de aspiración.

**Tubos extensores:** Estos tubos pueden conectarse entre sí y proporcionan longitud adicional para tener más alcance.

**Manguera con fijación positiva Tug-A-Long:** Proporciona transferencia de capacidad de aspiración o soplado al lugar de trabajo. Proporciona los medios para acoplar los tubos extensores y las boquillas.

# Funcionamiento (continuación)

## Recogida de materiales secos con la aspiradora

1. El filtro debe estar siempre en posición correcta, en todo momento, para evitar fugas y posibles daños a la aspiradora.
2. Al utilizar la aspiradora para recoger polvo muy fino, será necesario que usted vacíe el tambor y limpie el filtro a intervalos más frecuentes para mantener un rendimiento óptimo.

**NOTA:** Se necesita un filtro seco para recoger material seco. Si utiliza la aspiradora para recoger polvo cuando el filtro está mojado, éste se atascará rápidamente y será muy difícil limpiarlo.

## Recogida de líquidos con la aspiradora

1. Cuando recoja pequeñas cantidades de líquido (2–4 pulgadas (5–10 cm) de líquido en el fondo del tambor), se podrá dejar instalado el filtro.
2. Cuando recoja cantidades más grandes de líquido (más de 4 pulgadas (10 cm) de líquido en el fondo del tambor), recomendamos que se retire el filtro. Si no se retira el filtro, éste se saturará y podrá aparecer niebla en el chorro de aire de escape.
3. Cuando el líquido que se encuentre en el tambor alcance un nivel predeterminado, el mecanismo del flotador subirá automáticamente para cortar el flujo de aire. Sabrá que el flotador ha subido porque el flujo de aire de la aspiradora cesará y subirá el tono del ruido del motor debido a que se producirá un aumento de la velocidad del mismo. Cuando esto suceda, apague la aspiradora, desenchufe el cordón de energía y vacíe el tambor.

### **⚠ ADVERTENCIA:**

No utilice la aspiradora sin la jaula del filtro y el flotador, ya que estas piezas evitan que entre líquido en el impulsor y dañe el motor.

4. Después de usar la aspiradora para recoger líquidos, se debe secar el filtro para evitar posible moho y daños al filtro.

**IMPORTANTE:** Para reducir el riesgo de daños a la aspiradora, no tenga en marcha el motor con el flotador en la posición elevada.

## Vaciado del tambor

### **⚠ ADVERTENCIA:**

Para reducir el riesgo de lesiones debidas a un arranque accidental, desenchufe el cordón de energía antes de vaciar el tambor.

1. La aspiradora viene equipada con un drenaje para vaciarla fácilmente de líquidos. Simplemente desenrosque la tapa del drenaje y levante ligeramente el lado opuesto para vaciar el tambor.
2. Otra opción es retirar el ensamblaje del cabezal del motor. Jale hacia fuera los pestillos flexibles ubicados a cada lado del ensamblaje del cabezal del motor para liberar dicho ensamblaje del tambor.
3. Mientras sujeta los pestillos hacia fuera, levante el ensamblaje del cabezal del motor alejándolo del tambor.
4. Ponga el ensamblaje del cabezal del motor en posición invertida sobre un área limpia mientras vacía el tambor o cambia el filtro.
5. Vierta el contenido del tambor en el recipiente adecuado de eliminación de residuos.

### **⚠ ADVERTENCIA:**

Para reducir el riesgo de que se produzcan lesiones en la espalda o caídas, no levante la aspiradora si pesa demasiado debido a que contiene líquido o residuos. Saque o haga salir una cantidad suficiente del contenido para hacer que la aspiradora sea suficientemente liviana como para poder levantarla cómodamente.



## Funcionamiento (continuación)

### Traslado de la aspiradora para mojado/seco

En caso de que sea necesario levantar la aspiradora para trasladarla, los mangos ubicados en los lados del tambor para polvo se utilizan para levantar la aspiradora.

Para maniobrar la aspiradora se deberá usar el asa de tracción ubicada encima del orificio de entrada de la aspiradora.



### Dispositivo de soplado

Su aspiradora cuenta con un orificio de aspiración. Tiene capacidad para soplar serrín y otros residuos. Siga los pasos que se indican a continuación para utilizar la aspiradora como soplador.

1. Localice el orificio de soplado de la aspiradora para mojado/seco.
2. Inserte el extremo con botón pulsador de la manguera con fijación positiva Tug-A-Long en el orificio de soplado de la aspiradora.
3. (Opcional) Coloque el tubo extensor en el extremo giratorio de la manguera y luego coloque una boquilla de uso general en el tubo extensor.
4. Encienda la aspiradora y estará listo para usarla como soplador.

### ⚠ ADVERTENCIA:

Use siempre protectores oculares de seguridad que cumplan con la norma ANSI Z87.1 (o en Canadá, con la norma CSA Z94.3) antes de utilizar la aspiradora como soplador.

### ⚠ ADVERTENCIA:

Para reducir el riesgo de lesiones a las personas que estén presentes, manténgalas alejadas de los residuos soplados.

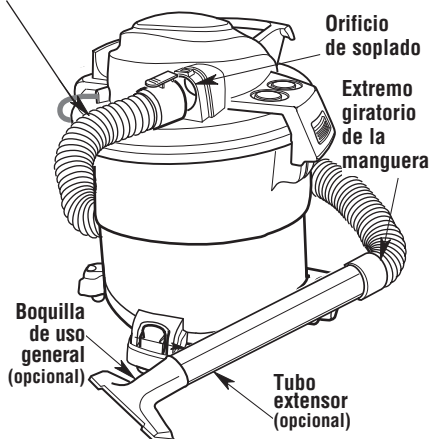
### ⚠ PRECAUCIÓN:

Use una máscara antipolvo si el soplado general de polvo que podría ser inhalado.

### ⚠ PRECAUCIÓN:

Para reducir el riesgo de daños a la audición, use protectores de oídos cuando utilice la aspiradora/soplador durante muchas horas seguidas o cuando la utilice en un área ruidosa.

### Manguera con fijación positiva Tug-A-Long



## Para guardar los accesorios

### Almacenamiento de accesorios

Deslice los tubos extensores y la boquilla utilitaria sobre los anillos de los pies de ruedecilla.

Para retirar los tubos extensores y la boquilla utilitaria, rótelos ligeramente y júelos hacia arriba.

### Almacenamiento de la manguera

Enrolle la manguera con fijación positiva Tug-A-Long alrededor del ensamblaje del cabezal del motor a través del clip de almacenamiento de la manguera para sujetarla firmemente.

### **PRECAUCIÓN:**

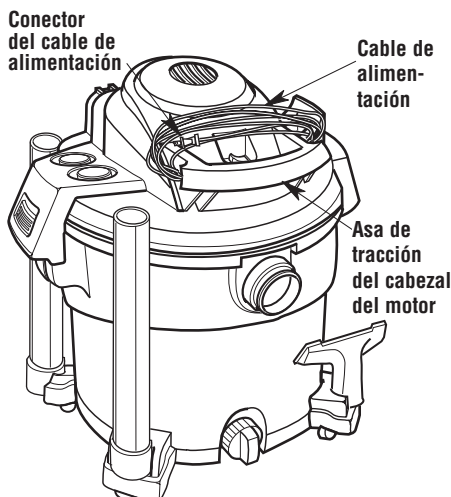
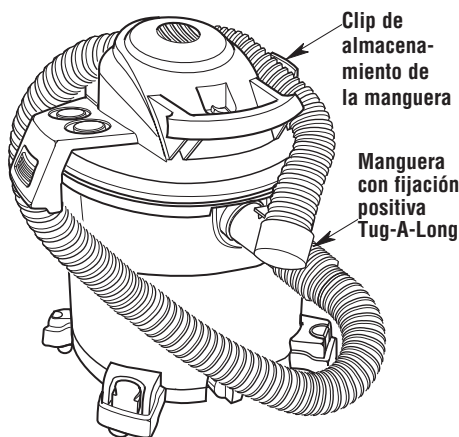
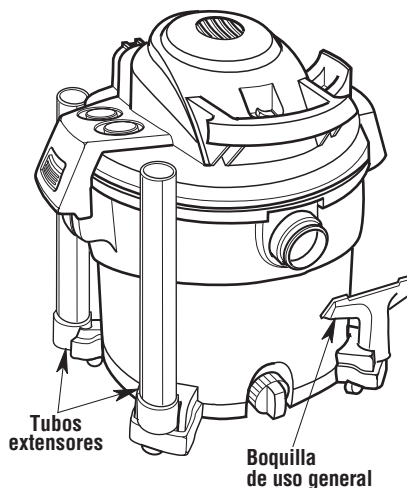
No utilice la aspiradora mientras la manguera aún esté enrollada alrededor del ensamblaje del cabezal del motor en la posición de almacenamiento.

### **ADVERTENCIA:**

No ponga ningún objeto en las aberturas de ventilación. No recoja nada con la aspiradora cuando cualquiera de las aberturas de ventilación esté bloqueada; mantenga dichas aberturas libres de polvo, pelusa, pelo o cualquier cosa que pueda reducir el flujo de aire.

### Almacenamiento del cable de alimentación

Simplemente enrolle el cable de alimentación alrededor del asa de tracción del ensamblaje del cabezal del motor y acople a presión el conector del cable de alimentación, ubicado en el enchufe, en una vuelta del cable.



# Mantenimiento

## Filtro

### **⚠ ADVERTENCIA:**

Para reducir el riesgo de lesiones debidas a un arranque accidental, desenchufe el cordón de energía antes de cambiar o limpiar el filtro.

**NOTA:** Este filtro está hecho de papel de alta calidad diseñado para detener partículas de polvo muy pequeñas. El filtro se puede usar para recoger material seco o pequeñas cantidades de líquido. Maneje el filtro cuidadosamente al quitarlo para limpiarlo o al instalarlo. Es posible que se produzcan arrugas en los pliegues del filtro, pero dichas arrugas no afectarán el funcionamiento del filtro.

## Remoción e instalación del filtro Qwik Lock™

### Remoción del filtro:

1. Sostenga las lengüetas del filtro Qwik Lock™ en cada mano.
2. Con un dedo pulgar en el vástago Qwik Lock™, que sobresale a través de la placa del filtro integrada, levante las lengüetas del filtro a la vez que empuja hacia abajo sobre el vástago.
3. Esta acción hará que el filtro se suelte de la jaula del filtro. Deslice el filtro hasta retirarlo de la jaula.

**IMPORTANTE:** Para evitar daños a la rueda del soplador y al motor, vuelva a instalar siempre el filtro antes de usar la aspiradora para recoger material seco.

### Instalación del filtro:

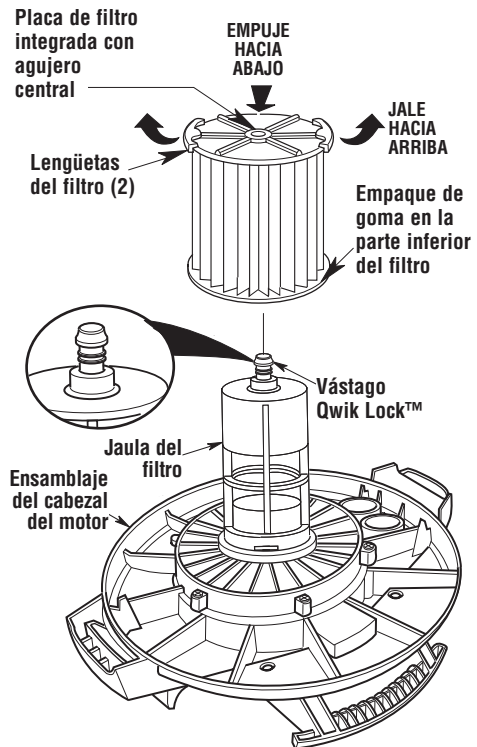
1. Deslice cuidadosamente el filtro Qwik Lock™ sobre la jaula del filtro y presione hacia abajo sobre el borde exterior del filtro hasta que el empaque de goma ubicado en la parte inferior del filtro se asiente firmemente alrededor de la base de la jaula del filtro y contra el ensamblaje del cabezal del motor.

2. Alinee el agujero central pequeño ubicado en la parte superior del filtro sobre el vástago Qwik Lock™ ubicado en la jaula del filtro. Presione firmemente sobre la parte de arriba del filtro cerca del vástago, para permitir que el filtro se acople a presión sobre la bola ubicada en el extremo del vástago. Una vez hecho esto, el filtro estará instalado.

**NOTA:** Si no se asienta apropiadamente el empaque inferior, el resultado podría ser que los residuos pasen por alto el filtro.

### **⚠ ADVERTENCIA:**

No utilice la aspiradora sin la jaula del filtro y el flotador, ya que estas piezas evitan que entre líquido en el impulsor y dañe el motor.



El filtro se debe limpiar a menudo para mantener un rendimiento óptimo de la aspiradora.

# Mantenimiento (continuación)

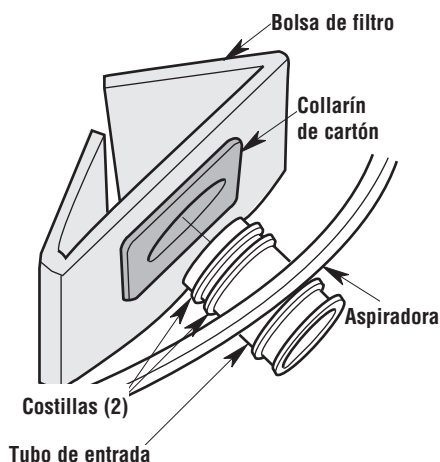
## Bolsa de filtro

### INSTRUCCIONES DE INSTALACIÓN

Se podrá utilizar una bolsa de filtro en lugar de o además del filtro de cartucho Qwik Lock™.

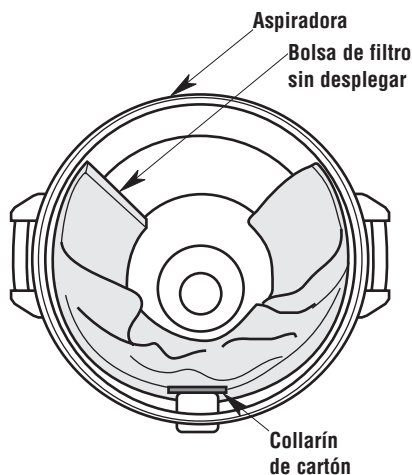
**NOTA:** Cuando recoja residuos secos, se debe instalar correctamente una bolsa de filtro o un filtro de cartucho.

1. La bolsa de filtro se deberá utilizar solamente para recoger residuos secos.
2. Se requiere un posicionamiento correcto del collarín de cartón para asegurar un sello adecuado.
3. Localice las dos costillas ubicadas en el tubo de entrada, dentro del tambor.
4. Deslice el collarín de cartón sobre el tubo de entrada y posicione dicho collarín de cartón entre las dos costillas.
5. Con el collarín de cartón instalado firmemente, despliegue y posicione la bolsa de filtro dentro del tambor de la manera que se muestra en la ilustración.



### INSTRUCCIONES DE REMOCIÓN

1. Deslice el collarín de cartón hacia el centro del tambor de la aspiradora.
2. Retire la bolsa de filtro del tambor de la aspiradora y deséchela.
3. Instale la bolsa de filtro nueva.



## **⚠ ADVERTENCIA:**

Para evitar los peligros para la salud por causa de vapores o polvo, no aspire materiales tóxicos o cancerígenos ni otros materiales peligrosos, tales como asbesto, arsénico, bario, berilio, plomo, pesticidas u otros materiales que pongan en peligro la salud.

## **⚠ PRECAUCIÓN:**

Para evitar derramar los residuos, cuando recoja material pesado o afilado, monitoree el volumen de la bolsa y no la llene excesivamente.

# Mantenimiento (continuación)

## Limpieza de un filtro seco

1. Se puede lograr una extracción parcial de residuos sin quitar el filtro de la aspiradora. Dé una palmada con la mano sobre la parte superior del ensamblaje del motor mientras la aspiradora está apagada.
2. Para obtener óptimos resultados de limpieza debido a la acumulación de polvo, limpie el filtro en un área abierta. La limpieza SE DEBE realizar al aire libre y no en el interior de la vivienda.
3. Después de quitar el filtro de la aspiradora, saque los residuos secos golpeando suavemente el filtro contra la pared interior del tambor para polvo. Los residuos se soltarán y caerán.
4. Para una limpieza a fondo del filtro seco con polvo fino (sin residuos), haga pasar agua a través del filtro tal como se describe bajo "Limpieza de un filtro mojado".

## Limpieza de un filtro mojado

Después de quitar el filtro, haga pasar agua a través de él usando una manguera o desde una espita. Tenga cuidado de que la presión del agua procedente de la manguera no sea tan fuerte como para dañar el filtro.

**IMPORTANTE:** Después de limpiar el filtro, compruebe si éste tiene desgarraduras o agujeros pequeños. No use un filtro que tenga agujeros o desgarraduras. Incluso un agujero pequeño puede hacer que se salga mucho polvo de la aspiradora. Cámbielo inmediatamente.

Asegúrese de secar el filtro antes de guardar la aspiradora o de recoger residuos secos.

## Limpieza y desinfección de la aspiradora para mojado/seco

Para mantener el mejor aspecto posible de la aspiradora para mojado/seco, limpie su exterior con un paño humedecido con agua templada y un jabón suave.

Para limpiar el tambor:

1. Vacíe de residuos el tambor.
2. Lave a fondo el tambor con agua templada y un jabón suave.
3. Limpie el tambor con un paño seco.

Antes de un almacenamiento prolongado o según sea necesario (por ejemplo, si se recogen aguas residuales), se debe desinfectar el tambor.

Para desinfectar el tambor:

1. Eche 1 galón de agua (4 litros) y 1 cucharadita (5 ml) de blanqueador de cloro en el tambor.
2. Deje que la solución repose durante 20 minutos y agítela cuidadosamente cada pocos minutos, asegurándose de mojar todas las superficies interiores del tambor.
3. Vacíe el tambor después de 20 minutos. Enjuáguelo con agua hasta que el olor a blanqueador desaparezca. Deje que el tambor se seque completamente antes de sellar el motor sobre el tambor.

## Mantenimiento del cordón

Cuando haya completado la aspiración, desenchufe el cable y enróllelo alrededor del asa de tracción del ensamblaje del cabezal del motor. Si el cordón de energía está dañado, debe ser reemplazado por el fabricante o su agente de servicio o por personal similarmente calificado, para reducir el riesgo de accidente.

## Almacenamiento

Antes de almacenar la aspiradora, se debe vaciar y limpiar el tambor para polvo. El cordón de energía se debe enrollar alrededor de la unidad. Los accesorios se deben mantener en la misma área que la aspiradora para que estén al alcance de la mano cuando se necesiten. La aspiradora se debe almacenar en interiores.

## Ruedecillas

Si las ruedecillas hacen ruido, puede poner una gota de aceite en el eje del rodillo para que hagan menos ruido.

## **⚠ ADVERTENCIA:**

Para garantizar la **SEGURIDAD** y **CONFIABILIDAD** del producto, cualquier otro mantenimiento, reparación o ajuste deberá ser realizado por centros de servicio Autorizados, utilizando siempre piezas de repuesto RIDGID.

# Piezas de repuesto


Aspiradora para mojado/seco profesional de 16 Galones/60 Litros  
Número de modelo WD16400

Valores nominales eléctricos:  
120 V 9 A 60 Hz

Las piezas RIDGID se encuentran disponibles en línea conectándose a [store.ridgid.com/wetdry](http://store.ridgid.com/wetdry)  
Pida siempre por número de pieza —no por número de clave

## ⚠ ADVERTENCIA:

### SERVICIO DE AJUSTES Y REPARACIONES DE UNA ASPIRADORA PARA MOJADO/SECO CON AISLAMIENTO DOBLE

En una aspiradora para mojado/seco con aislamiento doble se proporcionan dos sistemas de aislamiento en vez de conexión a tierra. No se proporciona ningún medio de conexión a tierra en un aparato electrodoméstico con aislamiento doble, ni se debe añadir a éste ningún medio de conexión a tierra. El servicio de ajustes y reparaciones de una aspiradora para mojado/seco con aislamiento doble requiere extremado cuidado y conocimiento del sistema, y debe ser realizado únicamente por personal de servicio competente. Las piezas de repuesto para la aspiradora para mojado/seco con aislamiento doble deben ser idénticas a las piezas que reemplazan. La aspiradora para mojado/seco con aislamiento doble está marcada con las palabras "DOUBLE INSULATED" (con aislamiento doble) y puede que el símbolo  (un cuadrado dentro de un cuadrado) también esté marcado en los aparatos.

Para reducir el riesgo de lesiones por causa de descargas eléctricas, desenchufe el cordón de energía antes de hacer servicio de ajustes y reparaciones a las piezas eléctricas de la aspiradora para mojado/seco.

## ⚠ ADVERTENCIA:

Para reducir el riesgo de lesiones por causa de descargas eléctricas, desenchufe el cordón de energía antes de hacer servicio de ajustes y reparaciones a las piezas eléctricas de la aspiradora para mojado/seco.

## ⚠ ADVERTENCIA:

Todo el desmontaje y todas las reparaciones deberán ser realizados por personal calificado.

No. de clave	No. de pieza	Descripción
1	832086	Interrupción oscilante
2	820563-4	* Tornillo de cabeza troncocónica serrada tipo "AB" 10 x 3/4 pulg. (19 mm)
3	818961	Separador
4	818413-3	Rueda del soplador
5	315534-1	Arandela
6	826817	Tuerca hexagonal con pestaña
7	820563-7	* Tornillo de cabeza troncocónica serrada tipo "AB" 10 x 3/4 pulg. (19 mm)

No. de clave	No. de pieza	Descripción
8	833185	Colector
9	509488	Flotador
10	823201-3	Jaula del filtro
11	VF4000	† Filtro Qwik Lock™
12	73185	Tapa del drenaje
13	832084	Pata para ruedecilla con área de almacenamiento
14	73137	Ruedecilla
15	VT1709	† Boquilla utilitaria
16	VT1720	† Manguera con fijación positiva Tug-A-Long
17	VT1708	† Tubos extensores
18	VF3502	† Bolsa de filtro desechable
19	SP6975	Manual del usuario

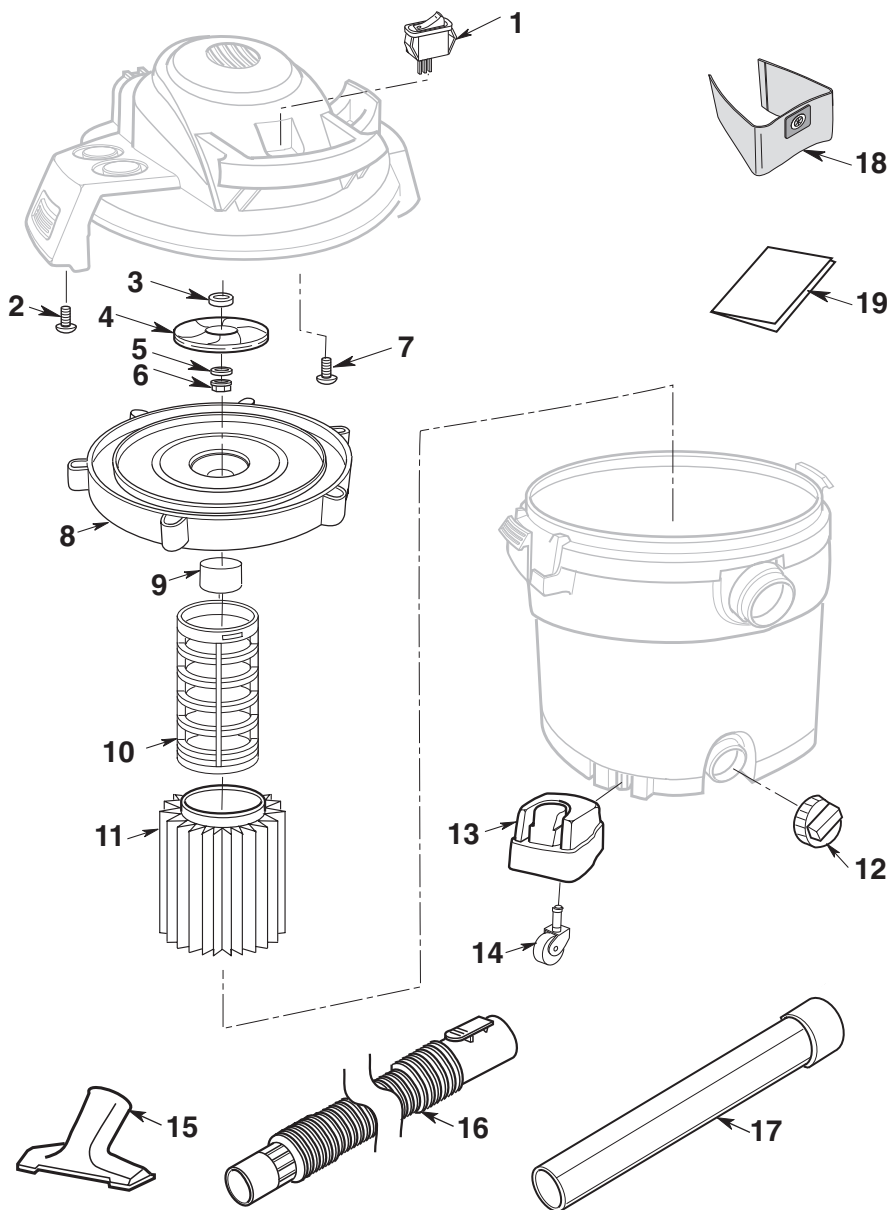
\* Artículo de herraje estándar. Puede comprarse localmente.

† Estas piezas de repuesto se encuentran disponibles en el establecimiento donde compró la aspiradora.

# Piezas de repuesto (continuación)

Aspiradora para mojado/seco profesional de 16 Galones/60 Litros  
Número de modelo WD16400

Las piezas RIDGID se encuentran disponibles en línea conectándose a [store.ridgid.com/wetdry](http://store.ridgid.com/wetdry)





## Símbolo de calidad, durabilidad y confiabilidad

- **Qué está cubierto**

Se garantiza que las aspiradoras para mojado/seco RIDGID® están libres de defectos de fabricación y de materiales.

- **Cuánto dura la cobertura**

Esta garantía dura toda la vida de las aspiradoras para mojado/seco RIDGID®.

- **Cómo puede obtener servicio**

Para obtener el beneficio de esta garantía, envíe el producto completo mediante transporte prepagado a RIDGE TOOL COMPANY, Elyria, Ohio, o a cualquier CENTRO DE SERVICIO INDEPENDIENTE RIDGID®. Las llaves para tubos y otras herramientas de mano deben devolverse al establecimiento de compra.

- **Qué haremos para corregir los problemas**

Las aspiradoras para mojado/seco garantizadas serán reparadas o reemplazadas, a opción de Ridge Tool Company, y serán devueltas sin cargo; o si después de tres intentos de reparar o reemplazar la aspiradora para mojado/seco durante el período de garantía ésta aún presenta defectos, usted puede optar por recibir un reembolso completo de su precio de compra.

- **Qué no está cubierto**

Las averías debidas a uso incorrecto, abuso o desgaste por el uso normal no están cubiertas por esta garantía. **RIDGE TOOL NO SERÁ RESPONSABLE DE NINGÚN DAÑO FORTUITO NI EMERGENTE.**

- **Cómo se relaciona la ley local con la garantía**

Algunos estados no permiten la exclusión o limitación de los daños fortuitos o emergentes, por lo que es posible que la limitación o exclusión que antecede no tenga aplicación en su caso. Esta garantía le confiere a usted derechos específicos y es posible que también tenga otros derechos, que varían de un estado a otro, una provincia a otra o un país a otro.

- **Ninguna otra garantía expresa tiene aplicación**

Esta GARANTÍA COMPLETA DE POR VIDA es la garantía única y exclusiva de las aspiradoras para mojado/seco RIDGID®. Ningún empleado, agente, distribuidor u otra persona está autorizado a alterar esta garantía ni a dar ninguna otra garantía en nombre de Ridge Tool Company.

No. de existencias WD16400

No. de modelo WD164000

Número de serie \_\_\_\_\_

Los números de modelo y de serie se pueden encontrar junto al orificio de soplado. Debe anotar tanto el número de modelo como el de serie en un lugar seguro para uso futuro.

**¿PREGUNTAS O COMENTARIOS? COMUNÍQUESE CON NOSOTROS EN**  
**1-800-4-RIDGID (1-800-474-3443) desde los EE.UU. y Canadá**  
**01-800-701-9811 desde México**  
**[www.ridgid.com/vacwarranty](http://www.ridgid.com/vacwarranty)**

Por favor, tenga a mano su número de modelo y número de serie cuando llame.



[www.RIDGID.com](http://www.RIDGID.com)

© 2020 Emerson

No. de pieza SP6975

No. de formulario SP6975-3

Impreso en México 04/20

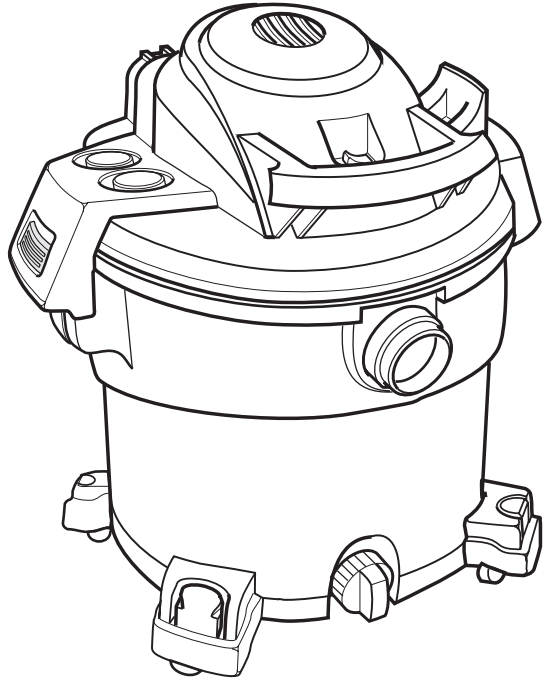


# RIDGID®

## MODE D'EMPLOI

ASPIRATEUR DE LIQUIDES ET  
DE POUSSIÈRES DE  
60 Litres / 16 GALLONS DES É-U

### WD16400



EN CAS DE QUESTIONS OU POUR OBTENIR DES INFORMATIONS,  
VEUILLEZ NOUS CONTACTER AU :

**1-800-4-RIDGID (1-800-474-3443) depuis les États-Unis et le Canada**  
**01-800-701-9811 depuis le Mexique**  
**[store.ridgid.com/wetdry](http://store.ridgid.com/wetdry)**

### **⚠ AVERTISSEMENT :**

Pour réduire le risque de blessure, l'utilisateur doit lire et comprendre le mode d'emploi avant d'utiliser ce produit.

Merci d'avoir acheté un produit RIDGID.

- English – page 1
- Español – página 17

**CONSERVER CE MANUEL POUR RÉFÉRENCE FUTURE**

Pièce N° SP6975

Imprimé au Mexique

# Table des matières

Section	Page	Section	Page
Instructions importantes relatives à la sécurité	34-35	Fonctionnement	39-41
Introduction	36	Rangement des accessoires	42
Assemblage des roulettes/pieds à roulettes	37	Entretien	43-45
Assemblage de l'aspirateur de liquides et de poussières	38	Pièces de rechange	46-47
		Garantie	48

## INSTRUCTIONS IMPORTANTES RELATIVES À LA SÉCURITÉ

La sécurité est une combinaison de faire preuve de bon sens, rester vigilant et savoir comment votre aspirateur de liquides et de poussières (l'« aspirateur ») fonctionne.

### Termes de signalisation de questions de sécurité

**⚠ DANGER :** Indique une situation dangereuse qui, si elle n'est pas évitée, causera la mort ou une blessure grave.

**⚠ AVERTISSEMENT :** Indique une situation dangereuse qui, si elle n'est pas évitée, risque de causer la mort ou une blessure grave.

**⚠ MISE EN GARDE :** Indique une situation dangereuse qui, si elle n'est pas évitée, pourrait causer une blessure légère ou modérée ou des dommages matériels.

Prenez toujours des précautions élémentaires, notamment les précautions suivantes, lorsque vous utilisez votre aspirateur de liquides et de poussières :

### ⚠ AVERTISSEMENT : – Pour réduire le risque d'incendie, de choc électrique ou de blessure :

- Lisez et comprenez ce manuel et toutes les étiquettes placées sur l'aspirateur avant de mettre celui-ci en marche.
- N'utilisez l'aspirateur que comme cela est décrit dans ce mode d'emploi.
- Ne laissez pas en marche pendant que vous êtes absent – vous vous risqueriez de manquer des signes importants indiquant un fonctionnement anormal, comme une perte de puissance d'aspiration, la sortie de débris ou de liquides par la bouche de soufflage d'air ou des bruits anormaux en provenance du moteur. Cessez immédiatement d'utiliser l'aspirateur si vous constatez de tels signes.
- Ne laissez pas l'aspirateur sans surveillance quand il est branché dans une prise de courant. Débranchez-le de la prise quand il n'est pas utilisé et avant toute opération de maintenance.
- Des étincelles à l'intérieur du moteur risquent de mettre feu à des vapeurs ou poussières inflammables. Pour réduire le risque d'incendie ou d'explosion: n'utilisez pas à proximité de gaz ou de liquides inflammables ou combustibles, ou de poussières explosives, comme de l'essence

automobile ou d'autres fiouls, de l'essence à briquet, des produits de nettoyage, de la peinture à l'huile, du gaz naturel, de la poussière de charbon, de la poussière de magnésium, de la poussière d'aluminium, de la poussière de céréales ou de la poudre noire.

- N'aspirez jamais de matières en train de brûler ou des matières fumigènes, telles que des cigarettes, des allumettes ou des cendres chaudes.
- Videz le tambour après chaque utilisation pour éviter le risque d'auto-inflammation des débris du tambour. Les matériaux combustibles, tels que des chiffons ou de la sciure contenant des colorants ou de l'uréthane, peuvent être des sources d'une telle surchauffe.
- N'aspirez jamais de poussières de plaques de plâtre, de suie ou de cendres de cheminée froides lorsqu'un filtre pour aspirateur de liquides et de poussières standard. Il s'agit de poussières très fines qui risqueraient d'être projetées à nouveau dans l'air ambiant. Utilisez un filtre à poussières fines à la place.
- Pour réduire le risque d'inhalation de vapeurs toxiques, n'aspirez pas de matériaux toxiques ou dangereux, et n'utilisez pas à proximité de tels matériaux.
- Pour réduire le risque de choc électrique, n'exposez pas à la pluie et empêchez l'entrée de liquides dans le compartiment du moteur. Rangez à l'intérieur.
- Cet aspirateur de liquides et de poussières n'est pas conçu pour emploi par des personnes (y compris des enfants) ayant des capacités physiques, sensorielles ou mentales réduites, ou qui n'ont pas l'expérience ou les connaissances nécessaires, sauf en cas de supervision ou d'instructions sur l'utilisation de cet appareil par une personne responsable de leur sécurité.
- Ne laissez pas les enfants se servir de l'aspirateur comme d'un jouet. Il faut surveiller de très près quand il est utilisé par des enfants ou à proximité d'enfants.
- N'utilisez pas avec un filtre déchiré ou sans avoir installé de filtre, sauf quand vous aspirez des liquides, comme cela est décrit dans ce mode d'emploi. Des débris secs capturés par la roue risquent d'endommager le moteur ou d'être expulsés à nouveau dans l'air ambiant.
- Éteignez l'aspirateur avant de le débrancher.
- Pour réduire le risque de blessure pouvant être causée par une mise en marche accidentelle, débranchez le cordon d'alimentation avant de changer le filtre ou de le nettoyer.

- Ne débranchez pas en tirant sur le cordon. Pour débrancher, saisissez la fiche – pas le cordon.
- N'utilisez pas l'aspirateur avec une fiche, un cordon ou un autre composant endommagé. Si votre aspirateur ne fonctionne pas comme il faut, s'il manque des pièces, s'il quelqu'un l'a laissé tomber, s'il est endommagé, s'il a été laissé à l'extérieur ou s'il est tombé dans de l'eau, téléphonez au service d'assistance à la clientèle.
- Ne tirez pas l'aspirateur et ne le portez pas par son cordon, n'utilisez pas le cordon pour servir de poignée, ne fermez pas une porte sur le cordon et ne laissez pas le cordon tendu passer sur des bords ou des coins tranchants. Ne traînez pas l'aspirateur sur son cordon. Maintenez le cordon à distance des surfaces chauffées.
- Ne touchez pas la fiche, l'interrupteur ou l'aspirateur avec des mains mouillées.
- Utilisez seulement des cordons de rallonge qui sont conçus pour emploi à l'extérieur. Les cordons de rallonge en mauvais état ou trop petits en termes de calibre des fils peuvent poser des risques d'incendie et de choc électrique. Pour réduire le risque de tels dangers, inspectez les cordons pour vous assurer qu'ils sont en bon état et que le liquide n'entre pas en contact avec le raccordement. N'utilisez pas de cordons de rallonge dont les conducteurs ont un calibre inférieur à 1,3 mm<sup>2</sup> (16 AWG).
- Cet aspirateur de liquides et de poussières a une double isolation, ce qui élimine le besoin d'un système de mise à la terre séparé. Utilisez seulement des pièces de rechange identiques. Lisez les instructions concernant l'entretien des aspirateurs de liquides et de poussières à double isolation avant toute opération d'entretien.
- Ne mettez aucun objet dans les orifices de ventilation. N'aspirez pas quand de quelconques orifices de ventilation sont obstrués; assurez-vous que ces orifices ne sont pas bloqués par de la poussière, de la peluche, des cheveux ou de quelconques objets pouvant réduire la circulation de l'air.
- Gardez les cheveux, les vêtements flottants, les doigts et toutes les parties du corps à distance des orifices et des pièces mobiles.
- Pour réduire le risque de chute, faites très attention lorsque vous utilisez l'aspirateur dans des escaliers.
- Pour réduire le risque de vous faire mal au dos ou de tomber, ne soulevez pas un aspirateur qui est lourd en raison de la présence de liquides ou de débris aspirés. Videz partiellement l'aspirateur en écopant ou en purgeant.
- Pour réduire le risque de blessure ou le risque d'endommagement de l'aspirateur, n'utilisez que des accessoires recommandés par RIDGID.
- En cas d'utilisation de l'aspirateur comme soufflante :
  - Ne dirigez la décharge d'air que vers la zone de travail.
  - Ne dirigez pas l'air vers des personnes présentes à proximité.
  - Gardez les enfants à distance lors du fonctionnement de la soufflante.

- N'utilisez la soufflante que pour souffler des saletés et des débris.
- N'utilisez pas en guise de pulvérisateur.
- Pour réduire le risque de blessure pour les yeux, portez des lunettes de sécurité. L'utilisation de toute soufflante ou de tout aspirateur utilitaire peut toujours causer la projection de corps étrangers dans les yeux, ce qui risque d'entraîner des blessures graves aux yeux.
- Pour réduire le risque d'être frappé ou entraîné par un aspirateur en train de rouler, bloquez les roulettes lorsque vous utilisez l'aspirateur sur une surface inégale ou inclinée.

## ▲ MISE EN GARDE :

- Pour réduire le risque de perte auditive, portez des protecteurs d'oreilles lorsque vous vous servez de l'aspirateur pendant plusieurs heures ou quand vous l'utilisez dans un endroit bruyant.
- Portez un masque antipoussières en cas d'utilisation dans un environnement poussiéreux.
- Les décharges statiques sont fréquentes dans les endroits secs ou lorsque l'humidité relative de l'air ambiant est faible. L'aspiration de débris fins avec votre aspirateur peut déposer une charge statique sur le tuyau ou sur l'aspirateur. La meilleure chose à faire pour réduire la fréquence des décharges statiques chez vous ou lorsque vous utilisez cet aspirateur consiste à ajouter de l'humidité dans l'air avec un humidificateur.

Observez les avertissements suivants qui figurent sur le carter du moteur de votre aspirateur :



**DOUBLEMENT ISOLÉ. MISE À LA TERRE NON NÉCESSAIRE.**  
POUR L'ENTRETIEN, N'UTILISEZ QUE DES PIÈCES DE RECHANGE IDENTIQUES.

## ▲ AVERTISSEMENT :

- Pour votre propre sécurité, lisez et comprenez le manuel de l'opérateur.
- Ne laissez jamais l'aspirateur en marche sans surveillance.
- Ne ramassez pas de cendres chaudes, de charbon, de matériaux inflammables, combustibles/auto-inflammables, de matériaux toxiques ou d'autres matériaux dangereux.
- N'utilisez pas à proximité de vapeurs ou de liquides explosifs.

## ▲ AVERTISSEMENT :

Pour réduire le risque de choc électrique – n'exposez pas à la pluie – rangez à l'intérieur.

# CONSERVER CE MANUEL

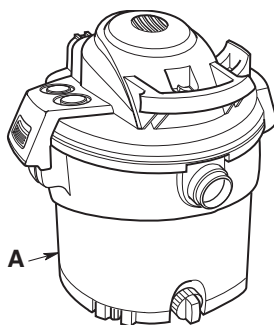
# Introduction

Cet aspirateur de liquides et de poussières est conçu pour emploi résidentiel seulement. Il peut être utilisé pour aspirer des matières humides ou sèches, et il peut également faire fonction de souffleuse.

Lisez ce mode d'emploi pour vous familiariser avec les fonctions du produit et pour comprendre les particularités d'utilisation de votre nouvel aspirateur.

## Déballage et contrôle du contenu du carton

Retirez tous les éléments se trouvant dans la boîte en carton. Inspectez chaque élément en le comparant à la liste incluse dans la boîte en carton. Téléphonez au 1-800-4-RIDGID (1-800-474-3443) depuis les États-Unis et le Canada, 01-800-701-9811 depuis le Mexique, ou envoyez-nous un courriel à [info@RIDGIDvac.com](mailto:info@RIDGIDvac.com) si de quelconques composants sont endommagés ou manquants.



### Liste du contenu de la boîte en carton

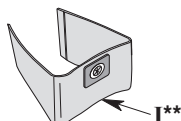
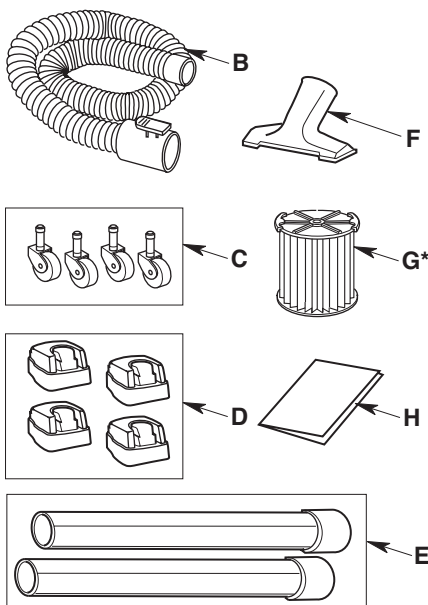
Légende	Description	Qté
A	Aspirateur de liquides et de poussières .....	1
B	Tuyau à verrouillage positif Tug-A-Long .....	1
C	Roulettes .....	4
D	Pied à roulettes avec compartiment .....	4
E	Baguettes de rallonge .....	2
F	Suceur à usages multiples .....	1
G*	Filtre Qwik Lock™ .....	1
H	Mode d'emploi .....	1

\* Le filtre est livré déjà assemblé et installé sur l'ensemble de bloc-moteur.

### Certains modèles peuvent également inclure :

I\*\* Sac-filtre jetable .....

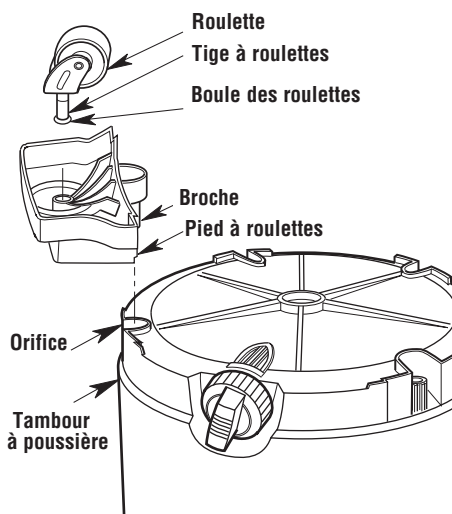
\*\* Vérifiez la Liste du contenu sur votre carton pour obtenir une liste des accessoires inclus.



## Assemblage des roulettes/pieds à roulettes

**REMARQUE :** Retirez l'ensemble de bloc-moteur du tambour avant de monter l'ensemble de pieds à roulette et de roulettes.

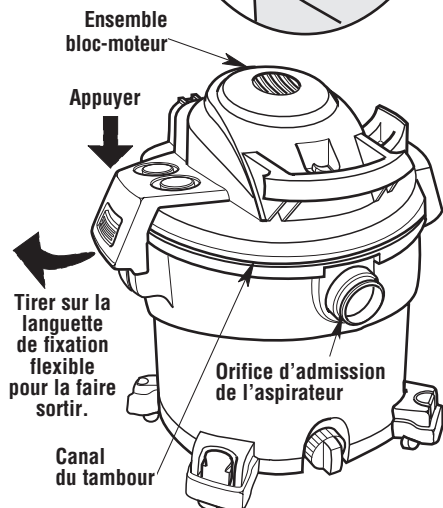
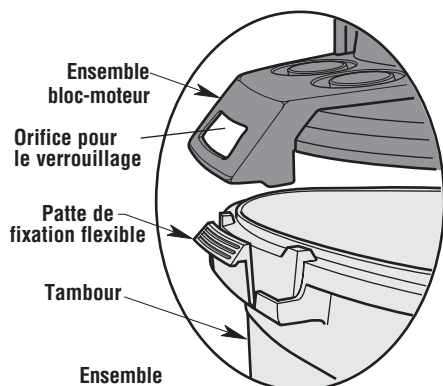
1. Retourner le tambour à poussière sens dessus-dessous sur le sol.
2. Insérer les pieds à roulettes aux endroits indiqués sur le dessous du tambour (4 emplacements).
3. Appuyer sur le pied à roulettes jusqu'à ce qu'il soit exactement au même niveau que le fond du tambour à poussière.
4. Insérer la tige des roulettes à l'intérieur du pied à roulettes, comme illustré (4 emplacements).
5. Appuyer sur les roulettes jusqu'à ce que la boule de la tige à roulettes soit insérée complètement dans le pied. On peut entendre un déclic lorsque la boule est en place, et les roulettes pivotent facilement lorsque le positionnement est correct.
6. Remettre le tambour dans le bon sens.



# Assemblage de l'aspirateur de liquides et de poussières

1. Alignez le devant de l'ensemble de bloc-moteur sur l'orifice d'admission de l'aspirateur, qui se trouve à l'avant du tambour, comme illustré.
2. Placez l'ensemble de bloc-moteur sur le dessus du tambour.
3. Vérifiez que l'ensemble de bloc-moteur recouvre complètement le haut du tambour pour qu'il n'y ait pas de fuites.
4. Appuyez sur le haut de l'ensemble de bloc-moteur pour engager les languettes de verrouillage flexibles sur le tambour dans les orifices du verrou de l'ensemble de bloc-moteur.
5. Assurez-vous que les languettes de verrouillage sont bien en place pour empêcher l'ensemble de bloc-moteur de se détacher (cf. encart).

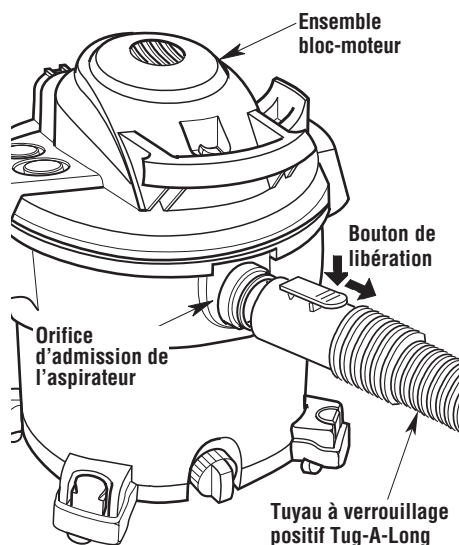
Votre nouvel aspirateur de liquides et de poussières est maintenant prêt à fonctionner.



## Insertion du tuyau

Insérez l'extrémité du tuyau flexible à verrouillage positif Tug-A-Long comportant le bouton poussoir dans l'orifice d'admission de l'aspirateur. Le tuyau devrait s'encliqueter en place.

Pour retirer le tuyau flexible de l'aspirateur, appuyez sur le bouton de libération sur l'ensemble de tuyau flexible et tirez sur le tuyau flexible pour le faire sortir de l'orifice d'admission de l'aspirateur comme illustré.



# Fonctionnement

**⚠ AVERTISSEMENT :** Pour réduire le risque d'incendie, d'explosion ou d'endommagement de l'aspirateur :

- Ne laissez pas en marche pendant que vous êtes absent – vous vous risqueriez de manquer des signes importants indiquant un fonctionnement anormal, comme une perte de puissance d'aspiration, la sortie de débris ou de liquides par la bouche de soufflage d'air ou des bruits anormaux en provenance du moteur. Cessez immédiatement d'utiliser l'aspirateur si vous constatez de tels signes.
- Ne laissez pas l'aspirateur branché lorsque vous ne l'utilisez pas.
- Ne continuez pas à utiliser l'aspirateur lorsque le flotteur a coupé l'aspiration.
- Les étincelles à l'intérieur du moteur risqueraient de mettre feu à des matières inflammables en suspension dans l'air. Ne pas utiliser l'aspirateur à proximité de liquides inflammables ou à des endroits où il y a des gaz ou des vapeurs inflammables, ou de la poussière explosive/dans l'air. Les liquides, gaz et vapeurs inflammables comprennent : essence à briquet, produits de nettoyage du type solvant, peinture à base d'huile, essence, alcool et aérosols. Types de poussières explosives : charbon, magnésium, aluminium, céréales et poudre noire.
- N'aspirez pas de poussières explosives, de liquides inflammables ou de cendres chaudes.
- Ne laissez pas de sciure ou de chiffons avec des résidus de teinture ou de polyuréthane à l'intérieur de l'aspirateur. Videz le tambour après avoir ramassé ces matériaux potentiellement autochauffants.

**⚠ AVERTISSEMENT :** Pour réduire le risque de choc électrique ou de blessure :

- N'exposez pas à la pluie, et ne laissez pas de liquides pénétrer dans le compartiment du moteur. Rangez à l'intérieur.
- Ne touchez pas la fiche de branchement, l'interrupteur ou l'aspirateur si vous avez les mains mouillées.
- Débrancher l'aspirateur avant d'effectuer une quelconque opération de maintenance. Si votre aspirateur ne fonctionne pas comme il devrait, s'il manque des pièces, s'il est tombé par terre ou a été endommagé, s'il a été laissé à l'extérieur ou s'il est tombé dans de l'eau, rappez-le à un centre de service après-vente agréé ou téléphonez au service à la clientèle.
- Lorsque vous utilisez un cordon de rallonge, n'utilisez qu'un cordon prévu pour emploi à l'extérieur et en bon état. Ne laissez pas la connexion entrer en contact avec des liquides.

**⚠ MISE EN GARDE :** Pour réduire le risque de dommages auditifs, portez des protège-oreilles lorsque vous utilisez l'aspirateur/souffleur pendant une période prolongée ou dans une zone bruyante.

## Fiche polarisée

Pour réduire le risque de choc électrique, cet aspirateur est muni d'une fiche polarisée (une lame est plus large que l'autre, à l'exception du modèle de 230 volts). La fiche n'entrera dans une prise polarisée que d'une seule manière. Inverser la fiche si elle n'entre pas complètement dans la prise. Si elle n'entre toujours pas, prendre contact avec un électricien qualifié pour installer une prise de courant appropriée. Ne pas altérer la fiche de quelque manière que ce soit.

Après avoir branché le cordon d'alimentation dans la prise de courant, mettez l'appareil sous tension en appuyant sur l'interrupteur pour le faire passer de la position « O » à la position « I ». deux symboles internationaux qui figurent sur l'interrupteur indiquent, respectivement, la position de marche et la position d'arrêt de votre aspirateur.

○ = ARRÊT | = MARCHÉ

Il faut bien se familiariser avec les accessoires qui ont été inclus avec cet aspirateur. Chaque accessoire peut être utilisé de façons multiples pour l'aspiration ou le soufflage de débris. Voici une liste des accessoires et des divers moyens de les utiliser :

**Suceur à usages multiples** – Suceur d'utilité générale servant à la plupart des applications de nettoyage avec un aspirateur.

**Baguettes de rallonge** – Ces baguettes peuvent être connectées ensemble et fournir une longueur supplémentaire pour atteindre des endroits plus éloignés.

**Tuyau à verrouillage positif Tug-A-Long** – Fournit un transfert du vide ou une capacité de soufflerie au site de travail où l'aspirateur est utilisé. Fournit le moyen de connecter les baguettes de rallonge ainsi que les suceurs.

## Fonctionnement (suite)

### Aspiration de matériaux secs

1. Le filtre doit toujours être dans la position correcte afin d'éviter les fuites et l'endommagement possible de l'aspirateur.
2. Lors de l'utilisation de l'aspirateur pour ramasser des poussières très fines, il sera nécessaire de vider le tambour et de nettoyer le filtre à intervalles plus fréquents afin de continuer à bénéficier de la performance maximale de l'aspirateur.

**REMARQUE :** Un filtre sec est nécessaire pour ramasser des matériaux secs. Si l'aspirateur est employé pour ramasser de la poussière alors que le filtre est humide, le filtre se bouchera très vite et il sera ensuite très difficile à nettoyer.

### Aspiration de liquides

1. Lorsque vous ramassez de petits volumes de liquide (de 2 à 4 po/5 à 10 cm dans le fond du tambour), le filtre peut être laissé en place.
2. Lorsque vous ramassez de grands volumes de liquide (plus de 4 po/10 cm au fond du tambour), nous recommandons de retirer le filtre. Si le filtre n'est pas retiré, il deviendra saturé et de la buée risquera alors d'apparaître dans l'échappement.
3. Lorsque le liquide aspiré atteint un niveau prédéterminé dans le tambour, le flotteur s'élèvera automatiquement afin de couper la circulation de l'air. L'élévation du niveau du flotteur se remarque parce qu'elle correspond à l'arrêt de la circulation de l'air à l'intérieur de l'aspirateur et parce que le bruit du moteur devient alors plus aigu en raison de l'accélération de sa vitesse. Lorsque ceci se produit, fermer l'aspirateur, débrancher le cordon électrique et vider le tambour.

#### **⚠ AVERTISSEMENT :**

Ne faites pas fonctionner sans la cage du filtre et le flotteur étant donné qu'ils empêchent l'entrée de liquide dans la roue et protègent ainsi le moteur contre les dommages pouvant en résulter.

4. Après que l'aspirateur aura été utilisé pour aspirer des liquides, il faudra sécher le filtre pour éviter la formation possible de moisissures et pour ne pas endommager le filtre.

**IMPORTANT :** Pour réduire le risque d'endommager l'aspirateur, il ne faut pas faire fonctionner le moteur pendant que le flotteur est en position élevée.

### Vidage du tambour

**⚠ AVERTISSEMENT :**  
Pour réduire le risque de blessure en raison d'une mise en marche accidentelle, débrancher le cordon électrique avant de vider le tambour.

1. L'aspirateur est fourni avec un orifice de drainage pour permettre de vider facilement les liquides. Dévissez simplement le capuchon de l'orifice de drainage et soulevez légèrement le côté opposé afin de vider le tambour.
2. Une autre option consiste à retirer l'ensemble de bloc-moteur. Tirez vers l'extérieur les languettes flexibles de chaque côté de l'ensemble de bloc-moteur pour le détacher du tambour.
3. Tout en tenant les languettes écartées, soulevez l'ensemble de bloc-moteur en l'éloignant du tambour.
4. Posez l'ensemble de bloc-moteur sens dessus dessous sur une surface propre pendant que vous videz le tambour ou que vous changez le filtre.
5. Verser le contenu du tambour dans un récipient à ordures approprié.

#### **⚠ AVERTISSEMENT :**

Pour réduire le risque de chute ou de blessure au dos il ne faut pas soulever un aspirateur plein de liquide ou de débris. Ramasser ou drainer suffisamment du contenu hors de l'aspirateur afin de rendre l'aspirateur assez léger pour le soulever confortablement.

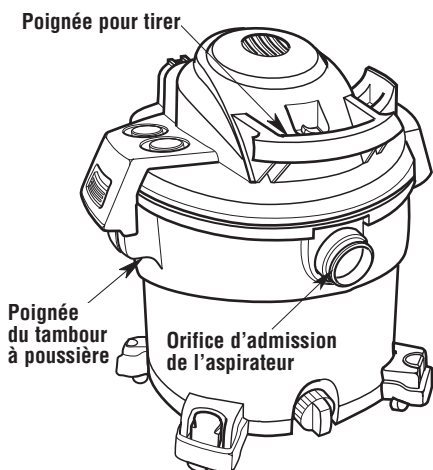


## Fonctionnement (suite)

### Transport de l'aspirateur

Si vous avez besoin de soulever l'aspirateur pour le déplacer, vous pouvez utiliser les poignées situées sur les côtés du tambour à poussière qui ont été conçues à cet effet.

Pour manœuvrer l'aspirateur, il faut utiliser la poignée de tirage au-dessus de l'orifice d'admission de l'aspirateur.



### Soufflerie

Votre aspirateur comporte un orifice de soufflerie. Il peut souffler de la sciure de bois et autres débris. Suivre la procédure indiquée ci-dessous pour utiliser l'aspirateur comme une soufflerie.

1. Localiser la soufflerie de l'aspirateur de liquides et de poussières.
2. Insérez l'extrémité du tuyau flexible à verrouillage positif Tug-A-Long dans l'orifice de soufflerie de l'aspirateur.
3. (En option) Attacher la baguette de rallonge à l'extrémité pivotante du tuyau, puis placer un suceur à usages multiples sur la baguette.
4. Mettre l'aspirateur en marche – l'aspirateur peut désormais être utilisé comme soufflerie.

### ⚠ AVERTISSEMENT :

Il faut toujours porter des lunettes de protection conformes à la norme ANSI Z87.1 (ou, au Canada, ACNOR Z94.3) avant de se servir de l'aspirateur comme une soufflerie.

### ⚠ AVERTISSEMENT :

Pour ne pas risquer de causer des blessures à d'autres personnes, il est recommandé de leur demander de rester à distance suffisante des débris soufflés.

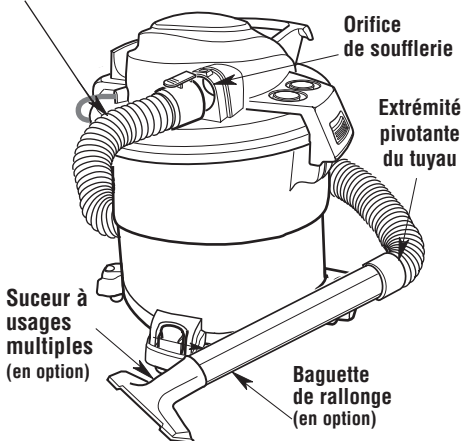
### ⚠ MISE EN GARDE :

Portez un masque anti-poussière si votre soufflage crée de la poussière qui pourrait être aspirée.

### ⚠ MISE EN GARDE :

Pour réduire le risque d'endommagement de l'ouïe, portez des protecteurs d'oreilles quand vous utilisez l'aspirateur/la soufflante pendant de longues périodes ou quand vous l'utilisez dans un environnement bruyant.

Tuyau à verrouillage positif  
Tug-A-Long



# Rangement des accessoires

## Rangement des accessoires

Faites glisser les tubes de rallonge et le suceur tout usage au-dessus des anneaux sur les pieds à roulette.

Pour retirer les tubes de rallonge et le suceur tout usage, faites tourner légèrement et tirez vers le haut.

## Rangement du tuyau flexible

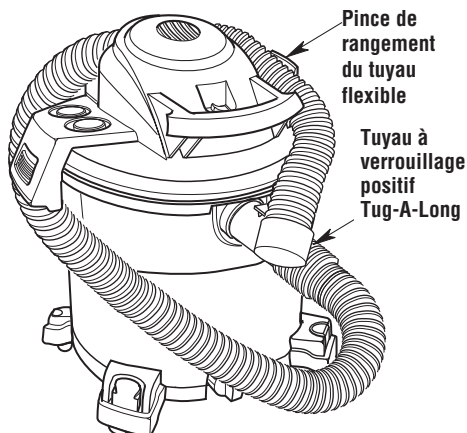
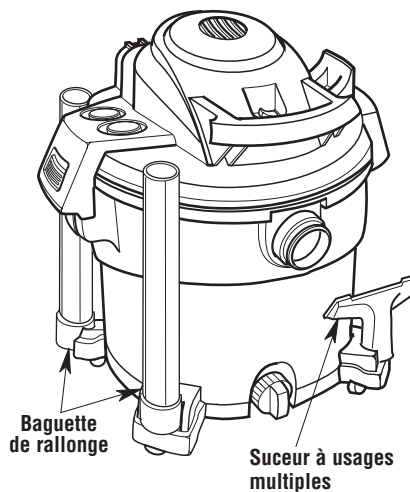
Enroulez le tuyau flexible à verrouillage positif Tug-A-Long autour de l'ensemble de bloc-moteur à travers la pince de stockage du tuyau flexible pour sécuriser le tuyau flexible.

### **▲ MISE EN GARDE :**

N'utilisez pas l'aspirateur pendant que le tuyau flexible est toujours enroulé autour de l'ensemble de bloc-moteur dans la position de rangement.

### **▲ AVERTISSEMENT :**

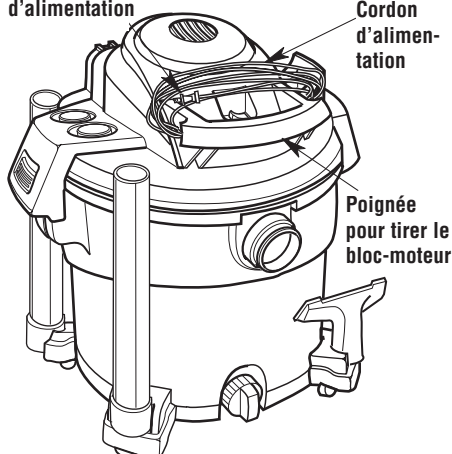
Ne mettez aucun objet dans les orifices de ventilation. N'aspirez pas quand de quelconques orifices de ventilation sont obstrués; assurez-vous que ces orifices ne sont pas bloqués par de la poussière, de la peluche, des cheveux ou de quelconques objets pouvant réduire la circulation de l'air.



## Rangement du cordon d'alimentation

Enroulez simplement le cordon d'alimentation autour de la poignée de tirage de l'ensemble de bloc-moteur et enfoncez le connecteur du cordon d'alimentation sur la fiche pour sécuriser le cordon enroulé.

Connecteur du cordon d'alimentation



# Entretien

## Filtre

### **⚠ AVERTISSEMENT :**

Pour réduire le risque de blessure en raison d'une mise en marche accidentelle, débrancher le cordon électrique avant de remplacer le filtre ou de le nettoyer.

**REMARQUE :** Le filtre est fait de papier de qualité élevée conçu pour intercepter les très petites particules de poussière. Le filtre peut être utilisé pour l'aspiration de déchets secs ou de petites quantités de liquide. Manipuler le filtre avec précaution lors de son nettoyage ou de son installation. Les plis du filtre peuvent être froissés pendant l'installation, mais cela n'aura aucune influence sur la performance du filtre.

## Retrait et installation du filtre Qwik Lock™

### Retrait du filtre :

1. Saisissez les deux languettes du filtre Qwik Lock™, une dans chaque main.
2. Placez un pouce sur le goujon Qwik Lock™, qui dépasse de la plaque de filtre intégrée, tirez sur les languettes du filtre et appuyez en même temps sur le goujon.
3. Cette action aura pour effet que le filtre sera relâché de la cage du filtre. Faites glisser le filtre pour le sortir de la cage.

**IMPORTANT :** Pour éviter d'endommager le moteur et la roue de la soufflerie, toujours réinstaller le filtre avant d'utiliser l'aspirateur pour ramasser des matériaux secs.

### Installation du filtre :

1. Faites glisser délicatement le filtre Qwik Lock™ en dessus de la cage du filtre et appuyez sur le bord extérieur du filtre jusqu'à ce que le joint d'étanchéité en caoutchouc au fond du filtre repose de manière sécurisée autour de la base de la cage du filtre et contre l'ensemble de bloc-moteur.

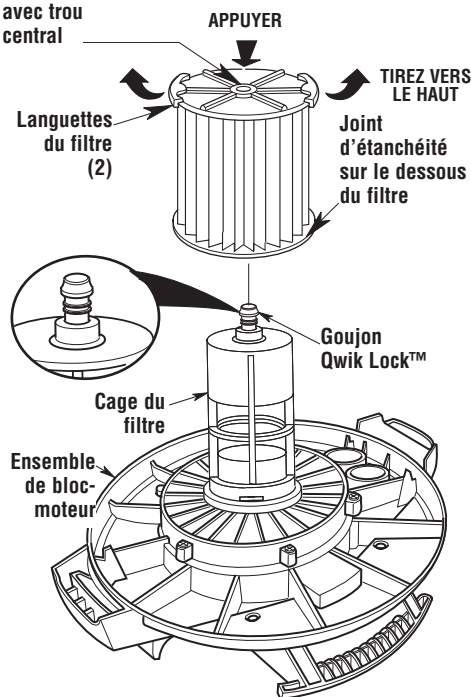
2. Aligned le petit trou central sur le dessus du filtre au-dessus du goujon Qwik Lock™ sur la cage du filtre. Appuyez fermement sur le dessus du filtre, à proximité du goujon, pour permettre au filtre de s'emboîter sur l'embout sphérique du goujon. Le filtre est maintenant installé.

**REMARQUE :** Si vous n'installez pas correctement le joint d'étanchéité du dessous, il est possible que des débris passent à côté du filtre.

### **⚠ AVERTISSEMENT :**

Ne faites pas fonctionner sans la cage du filtre et le flotteur étant donné qu'ils empêchent l'entrée de liquide dans la roue et protègent ainsi le moteur contre les dommages pouvant en résulter.

Plaque de filtre intégrée avec trou central



Il faut nettoyer souvent le filtre pour ne pas affecter la performance optimale de l'aspirateur.

## Entretien (suite)

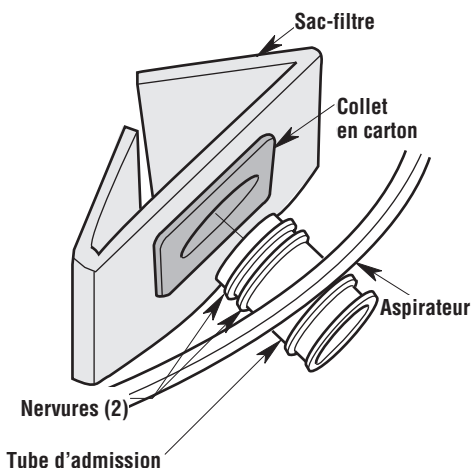
### Sac-filtre

#### INSTRUCTIONS POUR L'INSTALLATION

Un sac-filtre peut être utilisé à la place du filtre à cartouche Qwik Lock™ ou en plus de celui-ci.

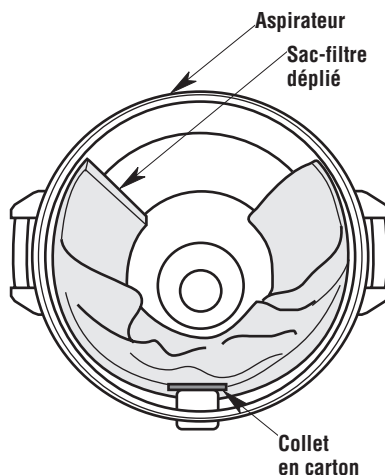
**REMARQUE :** Un sac-filtre ou un filtre à cartouche doit être installé correctement lorsque vous ramassez des débris secs.

1. Un sac-filtre ne doit être utilisé que pour le ramassage de débris secs.
2. Le positionnement correct du collet en carton est nécessaire pour assurer l'étanchéité requise.
3. Localisez deux nervures sur le tube d'admission, à l'intérieur du tambour.
4. Faites glisser le collet en carton sur le tube d'admission et positionnez le collet en carton entre les deux nervures.
5. Après avoir installé le collet en carton de façon sécurisée, dépliez et positionnez le sac-filtre à l'intérieur du tambour, tel qu'illustré.



#### INSTRUCTIONS POUR LE RETRAIT

1. Faites glisser le collet en carton vers le centre du tambour de l'aspirateur.
2. Retirez le sac-filtre du tambour de l'aspirateur et jetez-le.
3. Installez un nouveau sac-filtre.



### **AVERTISSEMENT :**

Pour vous protéger contre les risques pour la santé résultant de l'inhalation de vapeurs ou de poussière, n'aspirez pas de matières toxiques ou cancérigènes, ou d'autres matières dangereuses, comme l'amiante, l'arsenic, le baryum, le béryllium, le plomb, des pesticides ou d'autres matières dangereuses pour la santé.

### **MISE EN GARDE :**

Pour éviter les débris épars, lors du ramassage de matériaux lourds ou tranchants, contrôler le volume de remplissage du sac et arrêtez l'aspiration avant que le sac ne soit trop plein.

## Entretien (suite)

### Nettoyage d'un filtre sec

1. Le retrait de certains débris secs peut être accompli sans enlever le filtre de l'aspirateur. Donner un coup avec la main sur la partie supérieure de l'ensemble de bloc-moteur pendant que l'aspirateur est à l'arrêt.
2. Pour obtenir les meilleurs résultats lors du nettoyage après l'accumulation de poussière, nettoyer le filtre dans un endroit non clos. Le nettoyage DOIT être effectué à l'extérieur – pas dans des locaux d'habitation.
3. Après avoir retiré le filtre de l'aspirateur, retirer les débris secs, en tapotant doucement le filtre contre la paroi intérieure du tambour à poussière. Les débris se détacheront et tomberont.
4. Pour effectuer un nettoyage complet du filtre sec lorsqu'il est couvert de particules très fines (pas de débris), faire couler de l'eau à travers le filtre comme indiqué sous la rubrique « Nettoyage d'un filtre humide ».

### Nettoyage d'un filtre humide

Une fois le filtre retiré, faites couler de l'eau au travers du filtre à l'aide d'un tuyau d'arrosage ou d'un robinet. Veillez à ce que la pression de l'eau sortant du tuyau d'arrosage ne soit pas si forte qu'elle pourrait endommager le filtre.

**IMPORTANT :** Inspecter le filtre après le nettoyage pour s'assurer qu'il n'est pas déchiré ou troué. Ne pas utiliser un filtre déchiré ou troué. Même un petit trou peut permettre à beaucoup de poussière de sortir de l'aspirateur. Remplacer le filtre immédiatement dans ce cas. Sécher toujours le filtre avant de le ranger ou de ramasser des débris secs.

### Nettoyage et désinfection de l'aspirateur de liquides et de poussières

Pour conserver l'esthétique optimale de votre aspirateur de poussières et de liquides, nettoyez la surface extérieure de l'aspirateur à l'aide d'un chiffon imbibé d'eau tiède savonneuse.

Procédure de nettoyage du tambour :

1. Vider les débris.
2. Nettoyez soigneusement le tambour à poussière à l'aide d'un savon doux et d'eau tiède.
3. Essuyer avec un chiffon sec.

Avant de ranger l'aspirateur pour une période prolongée, ou dans les cas nécessaires (par exemple après l'aspiration d'eaux usées), vous devez désinfecter le tambour.

Pour désinfecter le tambour :

1. Versez un gallon (presque 4 litres) d'eau et une cuillerée à thé (5 ml) de produit à blanchir à l'eau de javel dans le tambour.
2. Laissez la solution agir pendant 20 minutes, en remuant doucement de temps à autre pour vous assurer que toutes les surfaces du tambour restent humides.
3. Videz le tambour au bout de 20 minutes. Rincez à l'eau jusqu'à ce que l'odeur d'eau de javel ait disparu. Laissez sécher le tambour complètement avant de sceller le moteur sur le tambour.

### Entretien du cordon d'alimentation

Après avoir fini d'utiliser l'aspirateur, débranchez le cordon et enroulez-le autour de la poignée de tirage de l'ensemble de bloc-moteur. Si le cordon est endommagé, il doit être remplacé par le fabricant ou son représentant, ou par une autre personne ayant les compétences techniques nécessaires, afin de réduire le risque d'accident.

### Rangement

Avant de ranger votre aspirateur, vous devez vider et nettoyer le tambour. Le cordon doit être enroulé autour de l'appareil et le tuyau doit être rangé de la façon décrite dans ce mode d'emploi. Les accessoires doivent être rangés à proximité de l'aspirateur de façon à pouvoir les trouver facilement. Ranger l'aspirateur à l'intérieur d'un bâtiment.

### Roulettes

Si les roulettes sont bruyantes, vous pouvez mettre une goutte d'huile sur l'arbre porte-galet pour atténuer le bruit.

**⚠ AVERTISSEMENT :**  
Pour assurer la **SÉCURITÉ** et la **FIABILITÉ** des produits, toutes les autres opérations d'entretien, de réparation et de réglage doivent être effectuées par des centres de service après-vente agréés, en utilisant toujours des pièces de rechange RIDGID.

# Pièces de rechange


Aspirateur de liquides et de poussières de 16 Gallons/60 Litres  
N° de modèle : WD16400

Caractéristiques électriques :  
120 V 9 A 60 Hz

Les pièces RIDGID sont disponibles sur notre site Web à l'adresse suivante : [store.ridgid.com/wetdry](http://store.ridgid.com/wetdry)  
Pour commander, utiliser toujours le numéro de pièce – pas le numéro de légende

## ⚠ AVERTISSEMENT :

### RÉPARATION DE L'ASPIRATEUR DE LIQUIDES ET DE POUSSIÈRES DOUBLEMENT ISOLÉ

Dans un aspirateur de liquides et de poussières doublement isolé, deux systèmes d'isolation sont fournis au lieu de la mise à la terre. Aucun moyen de mise à la terre n'est prévu sur un appareil électro-ménager doublement isolé, et il ne faut pas en ajouter. La réparation d'un aspirateur de liquides et de poussières doublement isolé nécessite une connaissance approfondie du système et la prise de précautions extrêmes. Une telle réparation ne doit être entreprise que par un technicien agréé. Les pièces de rechange pour un aspirateur de liquides et de poussières doublement isolé doivent être les mêmes que les pièces qu'elles remplacent. Les mots « DOUBLE INSULATED » (Doublement isolé) figurent sur l'aspirateur de liquides et de poussières doublement isolé, et le symbole  (un carré à l'intérieur d'un autre carré) peut également figurer sur les appareils.

Pour réduire le risque de blessures causées par les chocs électriques, débranchez le cordon d'alimentation avant de réparer les éléments électriques de l'aspirateur de liquides et de poussières.

## ⚠ AVERTISSEMENT :

Pour réduire le risque de blessures causées par les chocs électriques, débranchez le cordon d'alimentation avant de réparer les éléments électriques de l'aspirateur de liquides et de poussières.

## ⚠ AVERTISSEMENT :

Toutes les opérations de démontage et de réparation doivent être effectuées par des techniciens compétents.

N° Légend	Pièce N°	Description
1	832086	Interrupteur à bascule
2	820563-4	* Vis cannelée à tête cylindrique bombée de type « AB » 10 x 3/4 po (19 mm)
3	818961	Séparateur
4	818413-3	Roue de soufflerie
5	315534-1	Rondelle
6	826817	Écrou hexagonal à embase
7	820563-7	* Vis cannelée à tête cylindrique bombée de type « AB » 10 x 3/4 po (19 mm)
8	833185	Collecteur

N° Légend	Pièce N°	Description
9	509488	Flotteur
10	823201-3	Cage du filtre
11	VF4000	† Filtre Qwik Lock™
12	73185	Capuchon du drain
13	832084	Pied à roulettes avec compartiment de rangement
14	73137	Roulette
15	VT1709	† Suceur à usages multiples
16	VT1720	† Tuyau à verrouillage positif Tug-A-Long
17	VT1708	† Baguette de rallonge
18	VF3502	† Sac-filtre jetable après usage
19	SP6975	Mode d'emploi

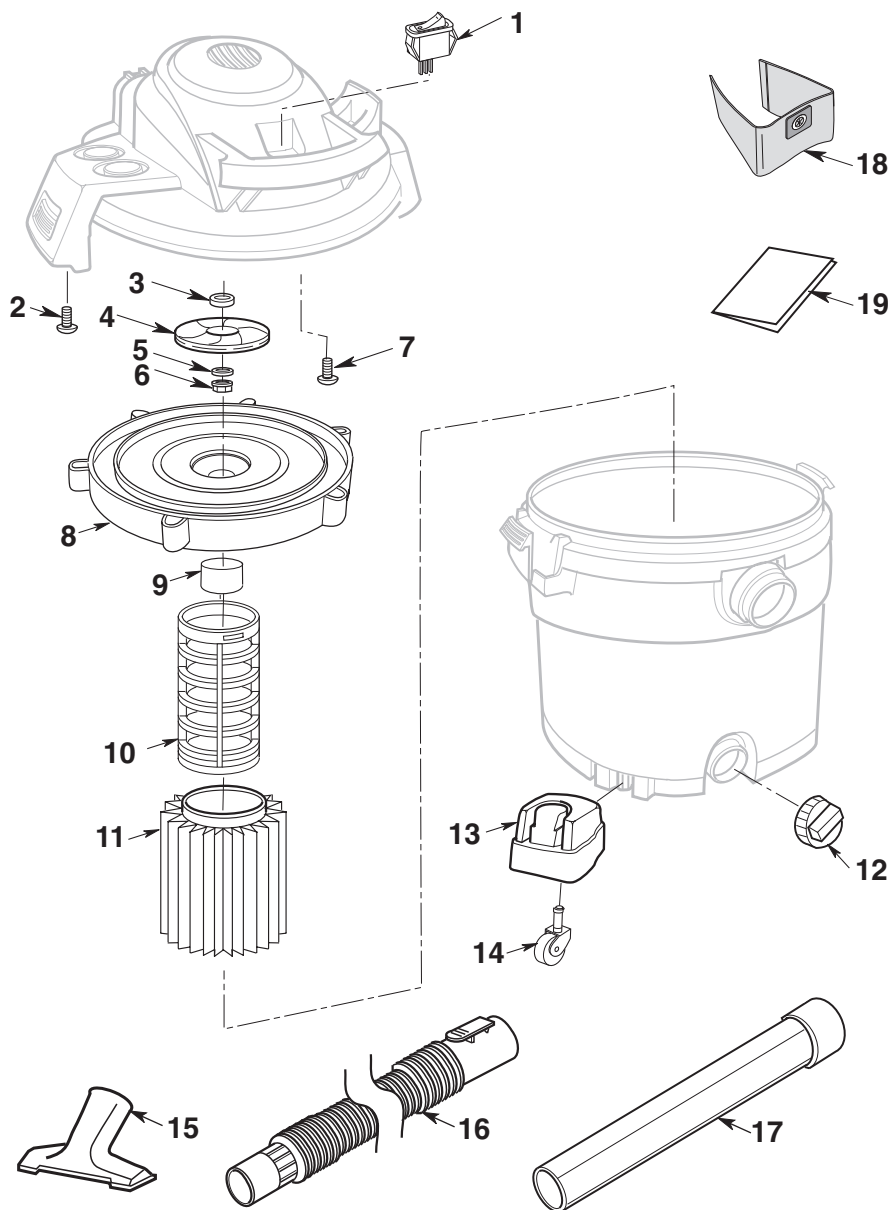
\* Article standard – Peut être acheté localement.

† Ces pièces de rechange sont en vente partout où des aspirateurs de liquides et de poussières sont en vente.

# Pièces de rechange (suite)

Aspirateur de liquides et de poussières de 16 Gallons/60 Litres  
N° de modèle : WD16400

Les pièces RIDGID sont disponibles sur notre site Web à l'adresse suivante : [store.ridgid.com/wetdry](http://store.ridgid.com/wetdry)





## Symbole de qualité, de durabilité et de fiabilité

- **Ce qui est couvert par la garantie**

Les aspirateurs de liquides et de poussières RIDGID® sont garantis sans défauts de matériau ou de façon.

- **Durée de la garantie**

Cette garantie est valable pendant toute la durée de vie de l'aspirateur de liquides et de poussières RIDGID®.

- **Le service après-vente**

Pour tirer parti de cette garantie, le produit complet doit être renvoyé en port payé à RIDGE TOOL COMPANY, Elyria, Ohio ou bien à un quelconque CENTRE DE SERVICE APRÈS-VENTE RIDGID® AGRÉÉ. Les clés à tube et autres outils à main devront être renvoyés au point de vente où ils ont été achetés.

- **Les mesures de rectification des problèmes**

Les aspirateurs de liquides et de poussières sous garantie seront réparés ou remplacés, au choix de Ridge Tool Company, et ils vous seront renvoyés gratuitement; ou, si au bout de trois tentatives de réparation ou de remplacement pendant la période de garantie, l'aspirateur de liquides et de poussières est toujours défectueux, vous pourrez demander à obtenir un remboursement intégral de votre prix d'achat.

- **Ce qui n'est pas couvert par la garantie**

Les défaillances causées par une utilisation abusive ou non conforme aux instructions, ou par l'usure ordinaire, ne sont pas couvertes par cette garantie. **RIDGE TOOL n'est responsable d'aucun dommage secondaire ou indirect.**

- **Effet des lois locales sur cette garantie**

Au Canada, certaines provinces ne permettent peut-être pas l'exclusion ou la limitation des dommages secondaires ou indirects; par conséquent, il est possible que l'exclusion ou la limitation susmentionnée ne s'applique pas à vous. Cette garantie vous confère des droits contractuels spécifiques, et vous disposez peut-être d'autres droits qui peuvent varier d'une province à l'autre.

- **Aucune autre garantie expresse ne s'applique**

La présente GARANTIE À VIE COMPLÈTE est la garantie unique et exclusive concernant les aspirateurs de liquides et de poussières RIDGID®. Aucun salarié, agent, distributeur ou autre n'est autorisé à modifier cette garantie ou à offrir une quelconque autre garantie de la part de RIDGE TOOL COMPANY.

Stock N° WD1640

Numéro de modèle WD16400

Numéro de série \_\_\_\_\_

Les numéros de modèle et de série sont indiqués près de l'orifice de soufflerie. Il est recommandé d'inscrire ces deux numéros en lieu sûr pour future référence.

**EN CAS DE QUESTIONS OU POUR OBTENIR DES INFORMATIONS, VEUILLEZ NOUS CONTACTER AU :**

**1-800-4-RIDGID (1-800-474-3443) depuis les États-Unis et le Canada**

**01-800-701-9811 depuis le Mexique**

**[www.ridgid.com/vacwarranty](http://www.ridgid.com/vacwarranty)**

Prière d'avoir votre numéro de modèle ainsi que votre numéro de série à portée de la main avant de nous appeler.



**EMERSON™**

**[www.RIDGID.com](http://www.RIDGID.com)**

© 2020 Emerson

Pièce N° SP6975

Imprimé N° SP6975-3

Imprimé au Mexique 04/20